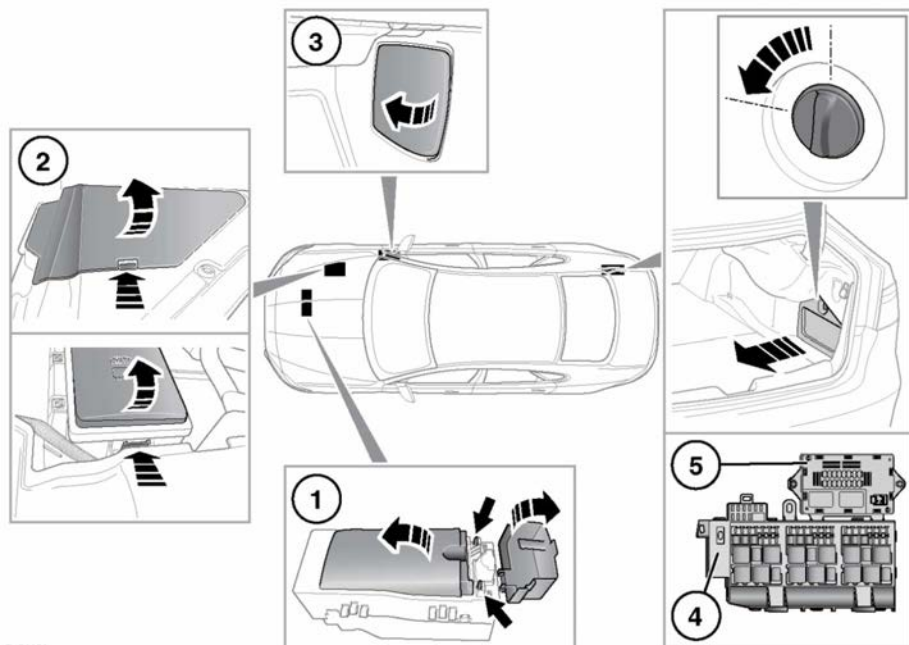


FUSE BOX LOCATIONS



E176659

NOTICE

When a fuse box lid is removed, take care to protect the box from moisture and refit the lid at the earliest opportunity.

There are 5 separate fuse boxes fitted to the vehicle, each one containing fuses protecting a different group of circuits.

1. Engine compartment front fuse box.

- Lift up the positive booster terminal cover. Press and hold the fuse box cover retaining clips and then lift to open the cover.

2. Engine compartment rear fuse box.

- Remove the under hood cover by lightly pressing and holding the retaining clip, then lift to release and pull to remove. See **185, UNDER HOOD COVERS - REMOVAL**.

Press and hold the fuse box covers retaining clip, then lift and pull to remove.

3. Passenger compartment fuse box, located on the right-side 'A' post, below the facia.

- Use a suitable tool to unclip the rearward edge of the panel to release and then pull to remove.

Note: Note the orientation of the panel to aid refitting.

4. Luggage compartment lower fuse box.

- The fuse box is accessed by removing the right-side luggage compartment access panel. Turn the retaining lug 90 degrees counter-clockwise, to release and remove the access panel.

Note: This fuse box also houses spare fuses and the vehicle's fuse removal tool.

- Luggage compartment upper fuse box.
 - The fuse box is accessed by removing the right-side luggage compartment access panel. Turn the retaining lug 90 degrees counter-clockwise to release and remove the access panel.

CHANGING A FUSE

NOTICE

Always switch off the ignition system and the affected electrical circuit, before replacing a fuse.

NOTICE

Only fit Jaguar approved replacement fuses of the same rating and type, or fuses of a matching specification.

NOTICE

If the replacement fuse blows after installation, the system should be checked by a Retailer/Authorized Repairer.

Note: It is recommended that only qualified personnel should remove or replace relays.

The vehicle's fuse removal tool and some spare fuses, are located in the luggage compartment lower fuse box.

ENGINE COMPARTMENT FUSE BOX

Engine compartment front fuse box

Fuse No	Rating (Amps)	Fuse Color	Circuit
1	5	Tan	Left-side headlamp motor.
2	5	Tan	Headlamps.
3	5	Tan	Right-side headlamp motor.
4	-	-	-
5	-	-	-
6	30	Green	Headlamp power wash.
7	-	-	-
8	-	-	-
9	-	-	-
10	15	Blue	Intercooler water pump.

Engine compartment rear fuse box

Fuse No	Rating (Amps)	Fuse Color	Circuit
11	15	Blue	Engine management system.
12	15	Blue	Engine management system.
13	10	Red	Gear selector. Fuel system. Engine management system.
14	-	-	-
15	10	Red	Engine cooling. Engine mounts. Engine management system.
16	25	Clear	Engine management system.
17	20	Yellow	Exhaust sensors.
18	20	Yellow	Exhaust sensors.
19	20	Yellow	Exhaust sensors.
20	-	-	-
21	-	-	-
22	5	Tan	Intercooler water pump.
23	5	Tan	Engine management system. Starter monitor. Electrical power management.
24	-	-	-
25	30	Green	Starter Motor.
26	-	-	-
27	25	Clear	Transfer Case.
28	-	-	-

PASSENGER COMPARTMENT FUSE BOX

Fuse No	Rating (Amps)	Fuse Color	Circuit
1	20	Yellow	Sunroof.
2	5	Tan	Brake pedal switch.
3	5	Tan	Immobilizer.
4	5	Tan	Diagnostic socket.
5	5	Tan	Battery back-up sounder.
6	20	Yellow	Second row auxiliary power socket.
7	20	Yellow	Cubby box auxiliary power socket.
8	30	Green	Left front seat.
9	30	Green	Right front seat.
10	30	Green	Left front seat.
11	30	Green	Right front seat.
12	-	-	-
13	20	Yellow	Front auxiliary power socket.
14	-	-	-
15	-	-	-
16	5	Tan	Electrical supply.
17	5	Tan	Door handles antenna.
18	15	Blue	Horns.
19	-	-	-
20	20	Yellow	Driver's Heated/Climate seat.
21	20	Yellow	Front passenger's Heated/Climate seat.
22	25	White	Right front door.
23	25	White	Left rear door.
24	25	White	Right rear door.
25	25	White	Left front door.
26	-	-	-
27	-	-	-
28	10	Red	Heated steering wheel.

Fuse No	Rating (Amps)	Fuse Color	Circuit
29	5	Tan	Passive entry.
30	20	Yellow	Passive entry.
31	-	-	-
32	5	Tan	Tire Pressure Monitoring System (TPMS).
33	15	Blue	Air Conditioning (A/C).
34	-	-	-
35	-	-	-

LUGGAGE COMPARTMENT FUSE BOX

Luggage compartment lower fuse box

Fuse No	Rating (Amps)	Fuse Color	Circuit
1	20	Yellow	Luggage compartment auxiliary power socket.
2	5	Tan	Rear heated seats.
3	20	Yellow	Left Heated rear seat.
4	20	Yellow	Right Heated rear seat.
5	10	Red	Adaptive dynamic suspension. Electronic differential.
6	10	Red	Message center module.
7	5	Tan	Electrical power management.
8	25	White	Trailer.
9	-	-	-
10	-	-	-
11	10	Red	Rear-view mirror. Blind Spot Monitoring (BSM) system. Camera.
12	10	Red	Entertainment system.
13	10	Red	Heated steering wheel.
14	10	Red	Head-Up Display (HUD).
15	5	Tan	Camera.
16	-	-	-
17	5	Tan	Adaptive Cruise Control (ACC).

Fuses

Fuse No	Rating (Amps)	Fuse Color	Circuit
18	20	Yellow	Trailer.
19	-	-	-
20	10	Red	Telematics.
21	-	-	-
22	15	Blue	Driver's door switches. Driver's seat. Driver's seat switches. Front passenger seat.
23	10	Red	Rear sun blind.
24	20	Yellow	Rear auxiliary power socket.
25	-	-	-
26	-	-	-
27	30	Green	Deployable tow bar. Trailer.
28	30	Green	Fuel system.
29	30	Green	Powered luggage compartment lid.
30	-	-	-

Luggage compartment upper fuse box

Fuse number	Rating (Amps)	Fuse color	Circuits protected
1	15	Blue	Touch screen. Climate control panel.
2	10	Red	Audio amplifier.
3	-	-	-
4	10	Red	Navigation system.
5	15	Blue	Audio head unit.
6	15	Blue	Portable media connector panel.
7	-	-	-
8	-	-	-
9	-	-	-
10	-	-	-
11	-	-	-
12	-	-	-

Fuse number	Rating (Amps)	Fuse color	Circuits protected
13	-	-	-
14	-	-	-
15	15	Blue	Heating and ventilation system.
16	20	Yellow	Auxiliary heater.