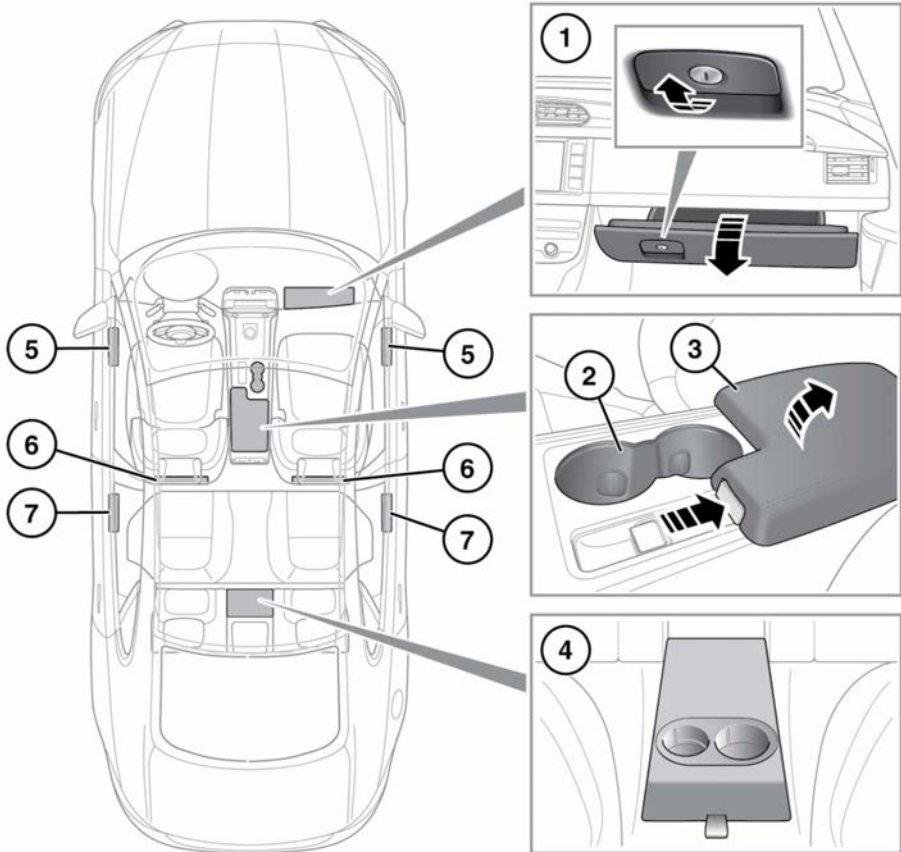


# Storage compartments

## STORAGE COMPARTMENTS



E175248

1. Glovebox: Pull the release handle to open. The glovebox can be locked/unlocked using the emergency key blade, mounted in the vehicle's Smart key. See **7, UNLOCKING THE VEHICLE**.

**Note:** When Valet mode is selected, the glovebox will not open.

2. Front cup holders.

### **⚠ WARNING**

**Do not drink, or use the cup holders when driving.**

3. Cubby box: Push and hold the release button and then lift to open the cubby box lid. To close, lower the lid and then lightly press to engage the catch.

4. Rear cup holders: Pull the tag at the top of the stowed rear seat's armrest and lower.
5. Front door stowage.
6. Stowage pockets on the rear of the front seats.
7. Rear door stowage.

## **⚠ WARNING**

**Make sure any items stored in the vehicle are secure and cannot move. If the vehicle is involved in an accident, subject to sudden braking or a change of direction, loose items can cause serious injury.**

## **AUXILIARY POWER SOCKETS**

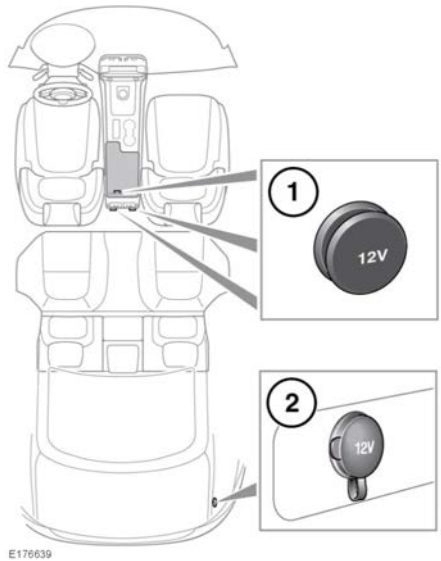
### **NOTICE**

*Only use approved accessories. Using any other equipment may damage the vehicle's electrical system and/or cause battery discharge. If you are in any doubt, contact a Retailer/Authorized Repairer.*

### **NOTICE**

*The engine should be running when using accessories for long periods. Failure to do so can discharge the battery.*

**Note:** Power sockets can be used to power approved accessories that use a maximum of 120 Watts.



1. Power sockets, located in the front center cubby box, and at the rear of the center console.
2. Luggage compartment power socket.