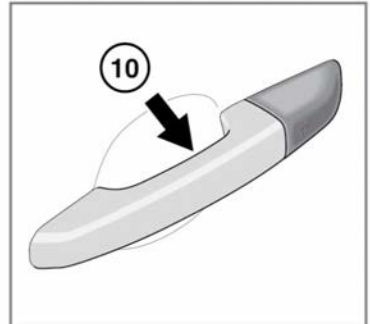
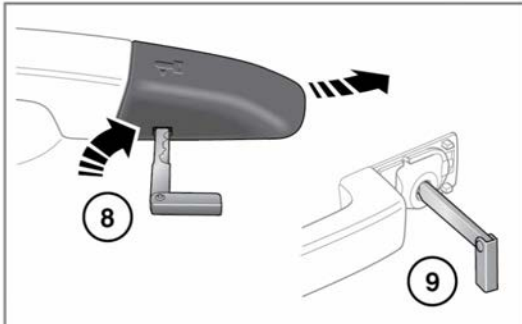
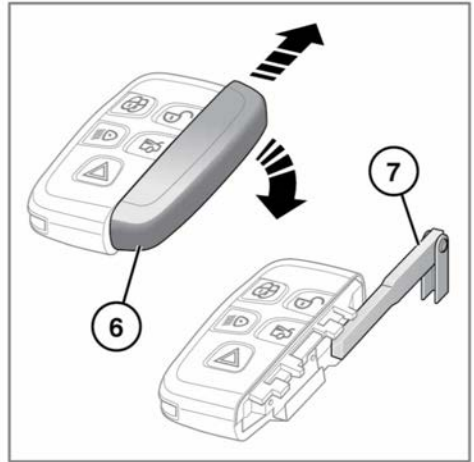
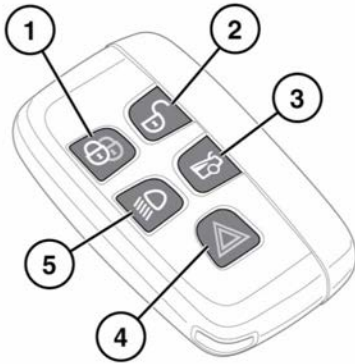


## UNLOCKING THE VEHICLE



E176605

# Entering the vehicle

## WARNING

Any person fitted with an implanted medical device should make sure that the device is kept at a distance of at least 8.7 in (22 cm) away from any transmitter mounted in the vehicle. This is to avoid any possibility of interference between the system and the device.

Interference may cause the implanted medical device to malfunction, causing serious injury or death. For more information on the locations of the security system transmitters, see 249, SMART KEY TRANSMITTER LOCATIONS.

## WARNING

To prevent accidental or unauthorized operation, never leave children or animals unattended in the vehicle. The vehicle can be operated when the Smart key is inside the vehicle.

**Note:** The operational range of the Smart key will vary considerably, depending on atmospheric conditions and interference from other transmitting devices.

**Note:** If any door, or the Luggage compartment, is unlocked 10 times within a short period, the latch is disabled for approximately one minute.

The vehicle is supplied with 2 Smart keys. The Smart keys act as remote controls for the locking and alarm system, and allow the vehicle to be locked, unlocked and driven without the use of a conventional key. See 10, PASSIVE ENTRY, 16, PASSIVE LOCKING and 81, STARTING THE ENGINE. Each Smart key also has an emergency key housed behind a slide off cover.

1. Lock: Press to secure the vehicle. See 15, LOCK CONFIRMATION. If Power-fold mirrors are fitted and enabled, they fold in.
2. Unlock: Press briefly to unlock the vehicle and deactivate the alarm. The hazard warning lamps flash twice to indicate that the vehicle is unlocked and the alarm is deactivated. The interior lamps illuminate to assist entry to the vehicle. If Power-fold mirrors are fitted and enabled, they unfold. Press and hold to activate Global opening. See 9, GLOBAL OPENING.
3. Luggage compartment: Press briefly to release/open/close the luggage compartment. If the vehicle is locked and armed, the security system remains active while the vehicle is open. When closing, if the vehicle is already locked and armed, the hazard warning lamps flash after a few seconds to confirm that the alarm system is reactivated. See 11, OPENING AND CLOSING THE LUGGAGE COMPARTMENT.  
**Note:** Make sure the Smart key does not remain in the vehicle prior to closure. It may not be detected if it is placed inside a metal container, if it is shielded by a device with a back-lit LCD screen, (e.g., laptop, smartphone, etc.), or if the vehicle is in an area of localized Radio Frequency (RF) interference. If the Smart key is not detected inside the vehicle, the vehicle allows locking to take place. The vehicle does NOT automatically unlock. The vehicle now unlocks only with another valid Smart key.
4. Panic alarm:
  - Press and hold for 3 seconds (or press 3 times within 3 seconds) to activate the horn and the hazard lamps.
  - Once active for more than 5 seconds, the alarm can be canceled by pressing the button and holding for 3 seconds (or pressing 3 times within 3 seconds).

- The panic alarm is also canceled if a valid Smart key is present when the START/STOP button is pressed.
5. Approach illumination:
    - When approaching the vehicle during darkness, press to switch on the approach illumination. Press again to switch the approach lamps off.
    - The approach illumination pre-set delay period, is 30 seconds. This delay period can be configured to provide illumination lasting between 0 and 240 seconds. See **47, INSTRUMENT PANEL MENU**.
  6. Emergency key access: Slide open the side cover to release, then remove.
  7. Remove the emergency key blade and unfold.
  8. If the Smart key fails to open the vehicle, insert the key blade into the slot at the base of the driver's door lock cover. Apply slight downward pressure to the top of the cover and gently lever the key blade upwards. Carefully rotate the door lock cover upwards, to lever the cover off the retaining lugs.
  9. Insert the key blade into the exposed lock and turn to operate the lock. The alarm sounds until the Smart key is positioned correctly, to disarm the alarm: see **82, KEYLESS START BACKUP**.

**Note:** When replacing the door lock cover, locate the top retaining lugs first. Press down and inwards to locate the single bottom lug. The lug clicks into the locked position. Check the security of the cover. An insecure cover is likely to fall off while the vehicle is moving.

10. Passive entry/exit: Exterior door handles have separate unlock and lock sensors. The unlock sensor is located on the inner surface of the handle.

**Note:** A replacement Smart key can be obtained only from a Retailer/Authorized Repairer. The Retailer/Authorized Repairer will require proof of identification and ownership. Notify your Retailer/Authorized Repairer immediately if a Smart key is lost or stolen.

## SINGLE/MULTI-POINT ENTRY

Press the unlock button; the vehicle unlocks in one of two ways:

1. Single-point entry: On the first press, the driver's door unlocks. If a locking fuel filler flap is fitted, it also unlocks. A second press is required to unlock the remaining doors and luggage area.
2. Multi-point entry: On the first press, all of the doors, the fuel filler flap and the luggage area unlock.

To change from Single to Multi-point entry (or vice versa), with the vehicle unlocked, press both the lock and unlock buttons simultaneously for three seconds. The hazard warning lamps flash twice to confirm the change.

This feature may also be set via **Vehicle Settings** in the Instrument panel menu. See **47, INSTRUMENT PANEL MENU**.

**Note:** If, when the vehicle is unlocked, an audible warning is emitted, this will be a 'Mislock' error. There may be a fault with either of the alarm sensors. Consult a Retailer/Authorized Repairer as soon as possible.

## GLOBAL OPENING

Press and hold the Smart key unlock button for 3 seconds to unlock the vehicle and open all of the windows.

# Entering the vehicle

Press any button on the Smart key to cancel operation.

**Note:** Global opening can be enabled and disabled via **Vehicle Settings** in the Instrument panel menu. See **47, INSTRUMENT PANEL MENU**.

## PASSIVE ENTRY

Passive entry allows the vehicle to be opened if a Smart key is within 39 in (1.0 m) of the door handle or the rear external switch.

**Note:** The Smart key may not be detected if it is placed within a metal container, or if it is shielded by a device with a back-lit LCD screen, such as a smartphone, laptop (including when inside a laptop bag), games console, etc. Keep the Smart key clear of such devices when attempting Passive entry, Passive locking or Keyless starting.

**Note:** The Smart key needs only to be on the driver's person, or in a non-metallic bag or briefcase. It does not need to be exposed or handled.

The Passive unlocking sensor is located on the inner surface of the door handle. Grip and pull the door handle to open the door. The vehicle unlocks, the alarm system is disarmed and the hazard warning lamps flash twice as 'unlock' confirmation. If power-fold mirrors are fitted and enabled, they fold out.

**Note:** If Single-point entry is the current security setting and a door other than the driver's door is opened first, all of the doors will unlock.

When all of the open doors have been closed, after entering the vehicle, the vehicle scans the interior for a valid Smart key. If a valid Smart key is not detected, **SMART KEY NOT FOUND** is displayed in the Message center. If this situation occurs, then use a valid Smart key to carry out the **Keyless start backup procedure**. See **82, KEYLESS START BACKUP**.

## CONVENIENCE MODE

When the driver's door is opened using either the Smart key or Passive entry, the vehicle's electrical system initiates the Convenience mode. The following systems become functional:

- Driver position memory.
- Seat and steering column adjustment.
- Interior and exterior lighting.
- Message center.
- Auxiliary power socket.

## SMART KEY SYSTEM TRANSMITTERS

### WARNING

**Any person fitted with an implanted medical device should make sure the device is kept at a distance of at least 8.7 in (22 cm) away from any transmitter mounted in the vehicle. This is to avoid any possibility of interference between the system and device. Interference may cause the implanted medical device to malfunction, causing serious injury or death. For more information on the locations of the security system transmitters, see 249, SMART KEY TRANSMITTER LOCATIONS.**

## STEERING COLUMN LOCK

### **NOTICE**

*During vehicle recovery, a Smart key must remain inside the vehicle, so that the steering column remains unlocked. See **238, RECOVERY METHOD**.*

Your vehicle is fitted with an electronic steering column lock, which locks and unlocks in conjunction with the vehicle's locking system. It also locks automatically, after a time delay, if the ignition is switched off and the Smart key is removed from the vehicle.

Any malfunction of the steering column lock will be indicated by the message **Steering Column Locked** being displayed in the Message center. If this occurs:

1. Lock and then unlock the vehicle using the Smart key.
2. Try again to unlock the steering column lock, by turning the steering wheel gently to the left and right.
3. If the problem persists, seek qualified assistance immediately.

## OPENING AND CLOSING THE LUGGAGE COMPARTMENT

### WARNING

**While the luggage compartment is open, the locking latch is exposed. Do not attempt to manually close the latch, as it may also automatically soft-close and trap items or body parts.**

### NOTICE

*Make sure there is sufficient space above and at the rear of the vehicle, before operating the luggage compartment. Insufficient opening space may result in damage to the vehicle.*

### NOTICE

*Do not operate the luggage compartment if a cycle rack is fitted. Remove any cycles and/or racks before opening the luggage compartment.*

### NOTICE

*The vehicle must not be driven with the luggage compartment lid unlatched and not completely closed. Any items placed in the luggage compartment should be arranged to allow the lid to be securely latched and completely closed. An unlatched or open luggage compartment may allow exhaust fumes to enter the vehicle, causing drowsiness, which in turn may lead to an accident.*

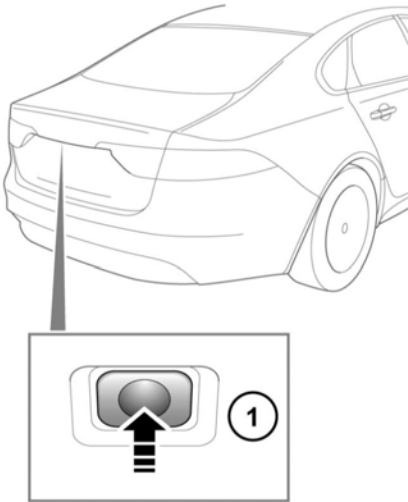
### NOTICE

*If the luggage compartment automatically re-opens after a closing attempt, do not repeatedly attempt to close it as this may cause the latch mechanism to overheat. Unlock all of the doors and the luggage compartment with the Smart key. Make sure that all of the doors, the hood, and the luggage compartment are completely closed and then lock the vehicle again with the Smart key.*

### NOTICE

*The Smart key may not be detected if it is placed within a metal container, or if it is shielded by a device with a back-lit LCD screen, such as a smart phone, laptop (including in a laptop bag), games console, etc.*

# Entering the vehicle



E176641

1. Luggage compartment release switch: Press to release and then lift to open.

The luggage compartment can also be released using the following methods:

- The Smart key release button.
- The interior release switch.

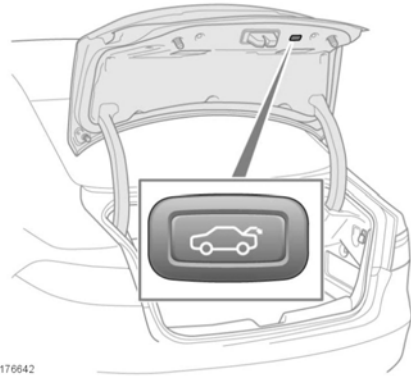


E165900

To close the luggage compartment, lower the lid to the fully latched/closed position.

## Powered luggage compartments

A powered luggage compartment is released and opened with a press of the interior release switch, or the Smart key button. If there is a second press during the opening, movement of the lid stops. When the lid is fully open, press the switch or Smart key button again to close. As the closing lid reaches its lowest position, it automatically soft-closes to the fully closed position.



E176642

Powered luggage compartments can also be closed by pressing the luggage compartment close switch.

If an object is detected that would interfere with a luggage compartment closing, movement stops and then reverses to the fully open position, if able to do so. An audible warning is given to indicate a mislock. Remove any obstructions and press the switch again to close the luggage compartment.

**Note:** If a valid Smart key cannot be detected within 39 in (1 m) of the rear of the vehicle, an audible warning sounds to indicate a mislock and the luggage compartment re-opens after approximately three seconds.

**Note:** If the Smart key is inadvertently left inside the luggage compartment and the vehicle is locked and the alarm set, an audible warning sounds to indicate a mislock and the luggage compartment lid re-opens after approximately three seconds.

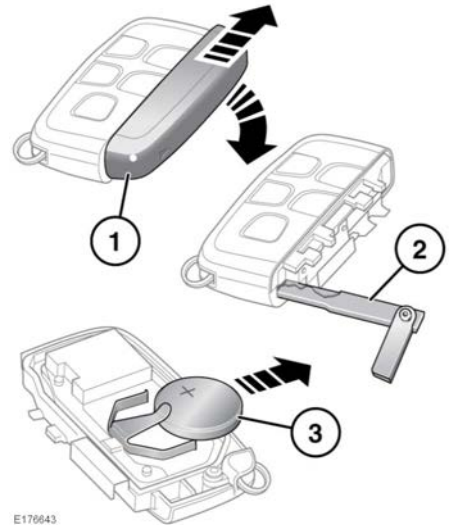
**Note:** Make sure the luggage compartment is fully closed before leaving the vehicle unattended. Visible and audible warnings indicate if the vehicle is locked and the alarm armed. If there are no visible or audible warnings upon closing the luggage compartment, the vehicle may be unprotected.

## DRIVE-AWAY LOCKING

Drive-away locking automatically locks all of the doors when the vehicle reaches a set speed. This feature can be enabled/disabled via **Drive-away locking** in the **Vehicle Settings** menu. See 47, **INSTRUMENT PANEL MENU**.

## SMART KEY BATTERY REPLACEMENT

When the battery needs replacing, there will be a significant decrease in the effective range and the message **SMART KEY BATTERY LOW** will be displayed in the Message center.



E170643

To replace the battery:

1. Remove the cover by sliding in the directions of the arrows.
2. Use the emergency key blade to separate the Smart key body.
3. Fit a new and unused CR2032 type battery (available from a Retailer/Authorized Repairer) with the positive (+) side upwards.

**Note:** Avoid touching the new battery. Moisture/oil from fingers can reduce battery life and corrode the contacts.

**Note:** If the low battery warning does not extinguish, this indicates that the replacement battery is not in a new and unused condition.

Refit the parts in reverse order, making sure that they click securely into place.

# Entering the vehicle



**Battery disposal:** Batteries contain harmful substances and must be disposed of correctly. Seek advice on disposal from a Retailer/ Authorized Repairer and/or your local authority.

## SMART KEY CARE

### **⚠️WARNING**

**To prevent accidental or unauthorized operation, never leave the Smart key unattended in the vehicle. Never leave children or animals unattended in the vehicle. The vehicle can be operated when the Smart key is inside the vehicle.**

Do not expose to extremes of heat, dust, or humidity, or allow contact with fluids. Do not leave the Smart key exposed to direct sunlight.

The emergency key blade number is recorded on an attached label. Peel off the label and keep it safe, but not in the vehicle.

The operational range of the Smart key will vary considerably, depending on atmospheric conditions and interference from other transmitting devices.

**Note:** *The Radio Frequency (RF) used by the Smart key may be used by other devices (e.g., medical equipment). This may prevent the Smart key from operating correctly.*