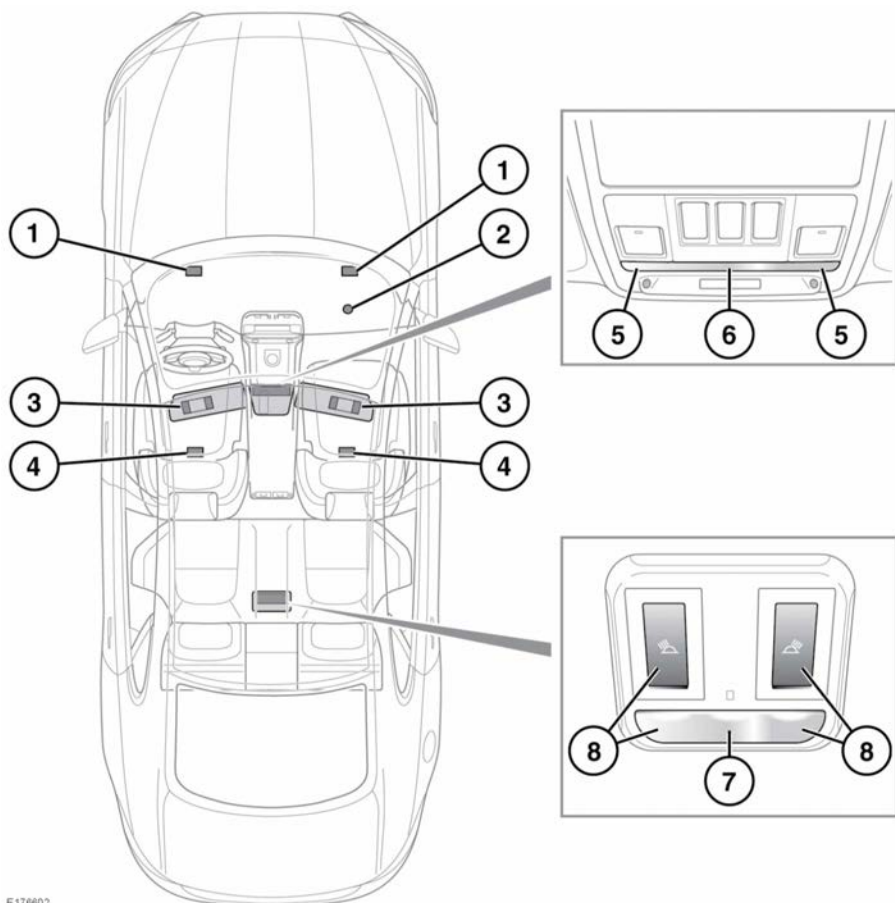


# Interior lights

## INTERIOR LIGHTS



E176602

1. Front seat footwell lamps.
2. Glovebox lamp: Open to illuminate.
3. Vanity mirror lamps: Lift the sun visor flap to illuminate.
4. Rear seat footwell lamps.
5. Front reading lamps: Touch the lens briefly to switch on/off.
6. Front interior courtesy lamp: Touch the lens briefly to switch on/off.
7. Rear interior courtesy lamp.
8. Rear reading lamps: Press the appropriate button to activate a reading lamp manually. Press again to switch off.

All the interior lamps (except for the glovebox and the vanity mirror lamps) illuminate automatically when the vehicle is unlocked, or a door is opened. They will extinguish approximately 20 seconds after all of the doors are closed, or when the vehicle is locked.

To switch the automatic illumination of the interior lamps off/on, continue to touch the front interior lamp lens (6) until the lamp flashes.

**INTERIOR LIGHTS OFF** or **INTERIOR LIGHTS AUTO** will be displayed in the Message center accordingly.

**Note:** *The puddle lamps (mounted at the base of each door) and the luggage compartment lamps are automatically operated when a door or the luggage compartment is opened. The on/off status of the interior lamps' automatic illumination, will not affect the operation of these lamps.*

## INTERIOR LIGHTS INTENSITY

Use the rotary control to adjust the intensity of the instrument illumination. The exterior lamps must be switched on while changes are being made. See **268, DRIVER CONTROLS**.

## AMBIENT LIGHTING

The Ambient lighting can be adjusted for color and intensity via the Touch screen extra features menu. See **122, EXTRA FEATURES**. The exterior lamps must be switched on while changes are being made.

## STEALTH MODE

Stealth mode lowers the level of interior illumination to aid night time driving. Stealth mode can be enabled through the Touch screen extra features menu. See **120, TOUCH SCREEN CONTROLS**.

Once enabled, Stealth mode is activated by switching the Touch screen off, using the on/off button. See **120, TOUCH SCREEN CONTROLS**. If night time conditions exist when the Touch screen is switched off, interior switch illumination, and Instrument panel back-lighting will automatically reduce to their minimum light levels. Stealth mode will be deactivated if night time conditions no longer exist, or if the Touch screen is switched back on.

**Note:** *The interior illumination control will not operate while Stealth mode is active. See **268, DRIVER CONTROLS**.*