

## ENGINE SPECIFICATIONS

Engine variant	Number of cylinders	Displacement (cc)	Compression ratio
3.0L Petrol	6	2 995	10.5:1

**Note:** For further information, contact a Retailer/  
Authorized Repairer and quote the Vehicle  
Identification Number (VIN). See **241, LABEL  
LOCATIONS**.

# Technical specifications

## LUBRICANTS AND FLUIDS

Part	Variant	Specification
Engine oil	3.0L Petrol	SAE 0W-20 meeting Jaguar Land Rover specification STJLR.51.51.22.
Brake fluid	All vehicles	It is recommended to use Jaguar brake fluid. If unavailable, then brake fluid meeting specification DOT4 ISO 4925 Class 6 may be used.
Washer fluid	All vehicles	Screen wash with frost protection, diluted with clean water, as specified on the bottle.
Engine coolant fluid	All vehicles	Mixture of 50% water and 50% Texaco XLC antifreeze meeting Jaguar Land Rover specification STJLR.651.5003.
Air conditioning refrigerant	All vehicles	R-1234-YF.
Air conditioning compressor oil	All vehicles	PAG (SP-A2).

If in doubt about the required specification of a lubricant or fluid, seek advice from a Retailer/ Authorized Repairer.



E176575

**Castrol EDGE Professional** exclusively recommended by Jaguar.

## CAPACITIES

Item	Variant	Capacity - pints (liters)
Fuel tank (usable)	All vehicles	19.5 gallons (74)
Engine oil refill and filter change	3.0L Petrol	7.6 US QT (7.25)
Washer reservoir	With headlamp wash	12.7 (6)
	Without headlamp wash	10.1 (4.8)
Engine cooling system (service fill)	3.0L Petrol	16.5 (7.8)
Air conditioning refrigerant	All vehicles	1.2 lb (550 g)
Air conditioning compressor oil	All vehicles	2.7 oz (80 ml)

The quoted capacities are approximate and provided as a guide only. All levels must be checked using the level marks or information displayed in the Message center, as applicable.

# Technical specifications

## WEIGHTS

Variant	Vehicle weight from lbs (kg)	Gross Vehicle Weight (GVW) <sup>1</sup> lbs (kg)	Maximum front axle load <sup>2</sup> lbs (kg)	Maximum rear axle load <sup>2</sup> lbs (kg)
3.0L Petrol (AWD)	3 880 (1 760)	5 224 (2 370)	2 624 (1 190)	2 866 (1 300)
3.0L Petrol (RWD)	3 770 (1 710)	5 137 (2 330)	2 491 (1 130)	2 844 (1 290)

<sup>1</sup>The maximum permissible weight of the vehicle, including all the passengers and the vehicle's payload (e.g., luggage compartment weight, roof rack weight, accessory equipment, etc.).

<sup>2</sup> The front and rear axle maximum weights cannot be reached simultaneously, as this will exceed the GVW limit.

Make sure that the luggage compartment weight will not exceed the maximum rear axle load or the GVW.

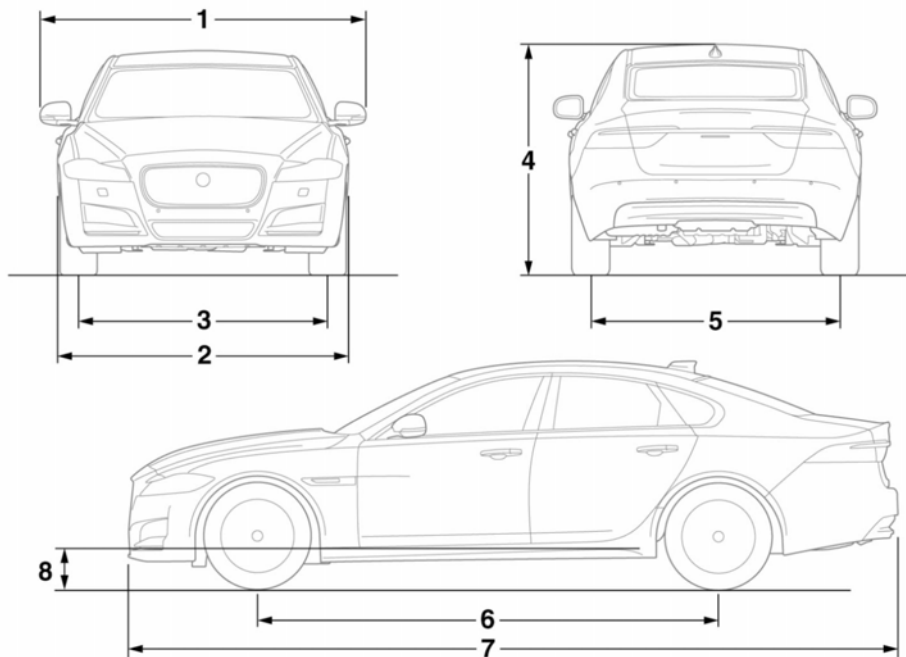
### WARNING

The maximum permitted roof weight, including the weight of the roof rack/roof bars, is 165 lb (75 kg). The roof weight must be included when calculating the GVW.

### **NOTICE**

*It is recommended, that only accessories approved by the vehicle manufacturer are used. If in any doubt, consult a Retailer/Authorized Repairer before fitting a roof rack/roof bars or carrying a roof load.*

## DIMENSIONS



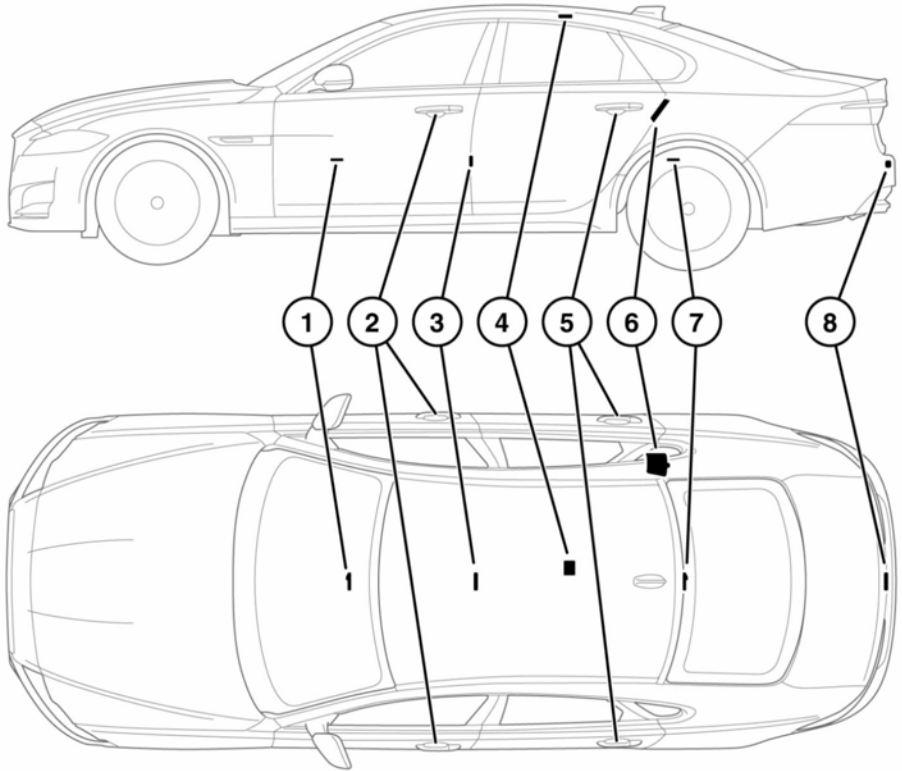
E175530

Item	Description	inches (mm)
1	Overall width	82.3 (2 091)
2	Body width	74.0 (1 880)
3	Track - front (vehicles with 20 inch wheels)	62.9 (1 597)
	Track - front (all other wheel sizes)	63.2 (1 605)
4	Height	57.4 (1 457)
5	Track - rear (vehicles with 20 inch wheels)	62.4 (1 586)
	Track - rear (all other wheel sizes)	62.8 (1 594)
6	Wheelbase	116.5 (2 960)
7	Length	195.0 (4 954)

# Technical specifications

Item	Description	inches (mm)
8	Maximum wading depth	11.8 (300)
	Maximum wading speed is 4 mph (7 km/h)	-
-	Turning circle	39.2 feet (11.94 meters)

## SMART KEY TRANSMITTER LOCATIONS



E175531

1. Cabin front floor transmitter.
2. Front door handle transmitters.
3. Cabin middle floor transmitter.
4. Cabin roof transmitter.
5. Rear door handle transmitters.
6. Keyless vehicle module.
7. Cabin rear floor transmitter.
8. Rear bumper transmitter.

# Technical specifications

## WARNING

Any person fitted with an implanted medical device should make sure that the device is kept at a distance of at least 8.7 inches (22 cm) away from any transmitter mounted in the vehicle. This is to avoid any possibility of interference between the system and the device.

## RADIO FREQUENCY SPECTRUM REGULATION STATEMENTS

### USA

This device complies with part 15 of the FCC rules. Operation is subject to the following two conditions:

- (1) This device may not cause harmful interference, and
- (2) this device must accept any interference received, including interference that may cause undesired operation.

### Canada

This device complies with Industry Canada Standard IC - RSS-210. Operation is subject to the following two conditions:

- (1) this device may not cause interference, and
- (2) this device must accept any interference, including interference that may cause undesired operation of the device.

### Radio frequency approval numbers

The key system transmitter radio frequency approval numbers for the USA and Canada are shown below:

<b>USA FCC ID:</b>	KOBJTF10B
	KOJLRO9A
	KOJBGB10A

	KOJBGB10B
<b>Canada IC:</b>	3521A-JTF10B
	3521-JLRO9A
	3521-JGB10A
	3521-JGB10B
<b>Model Number:</b>	EW93-15K601-A
	AH42-15K602-A
	FK72-19H440 (PEPS) FK72-19H440 (passive only)
	FK72-19H440 (PEPS) FK72-19H440 (passive only)

**Note:** The manufacturer is not responsible for any radio interference or TV interference caused by unauthorized modifications to this equipment. Changes or modifications, not expressly approved by the party responsible for compliance, could void the user's authority to operate the equipment.

### **NOTICE**

The Smart key may suffer interference from other legal users of this radio frequency band, such as radio amateurs, medical equipment, remote controls or alarm systems. To lock or unlock the vehicle in such a situation, either use a key or operate the key transmitter as close to the security antenna as possible.