

# Wheel changing

## WHEEL CHANGING SAFETY

Before raising the vehicle or changing a wheel, make sure that you read and comply with the following warnings:

### WARNING

Always find a safe place to stop, off the highway and away from traffic.

Switch on the hazard warning lamps to alert all traffic of the obstruction.

Apply the Parking brake and engage transmission P. Turn the engine off and remove the Smart key from the vehicle.

Failure to do so can result in unexpected movement of the vehicle, causing serious injury or death.

### WARNING

Make sure that all passengers and animals are out of the vehicle and in a safe place, away from the highway.

### WARNING

If available, place a warning triangle at a suitable distance behind the vehicle, facing towards oncoming traffic.

### WARNING

Disconnect trailer from vehicle.

### WARNING

Make sure that the vehicle and jack are both on firm, level ground. Do not jack the vehicle if it is over a metal grating or manhole cover.

Make sure that the front wheels are in the straight ahead position.

### WARNING

Always use the complete jacking lever assembly throughout the tire changing process, to minimize any chance of accidental injury.

Always position the jack from the side of the vehicle, in line with the appropriate jacking point.

Never place anything between the jack and the ground, or between the jack and the vehicle. Only jack the vehicle using the approved jacking points.

Do not attempt to raise the vehicle unless the jack head is fully engaged in the jacking point.

### WARNING

The jack is designed for wheel changing only.

Never work beneath the vehicle with the jack as the only means of support. Always use correctly rated vehicle support stands, before putting any part of your body beneath the vehicle.

### WARNING

When one rear wheel is lifted off the ground, transmission P position will not prevent the vehicle from moving and possibly slipping off the jack, as the Parking brake operates only on the rear wheels. Use a wheel chock when jacking the vehicle.

### WARNING

Always chock the wheel diagonally opposite the wheel to be changed. Chock the front of a front wheel, or the rear of a rear wheel.

### WARNING

If jacking the vehicle on a slight slope is unavoidable, place chocks on the downhill side of the two opposite wheels.

## WARNING

Take care when loosening the wheel nuts. The wheel brace may slip off if not properly attached and the wheel nuts may give way suddenly. Either unexpected movement, may cause an injury.

## WARNING

Do not start or run the engine while the vehicle is supported only by a jack.

## WARNING

Remove the spare wheel prior to jacking the vehicle, to avoid destabilizing the vehicle when raised.

Take care when lifting the spare wheel, and removing the punctured wheel. The wheels are heavy, and can cause injuries if not handled correctly.

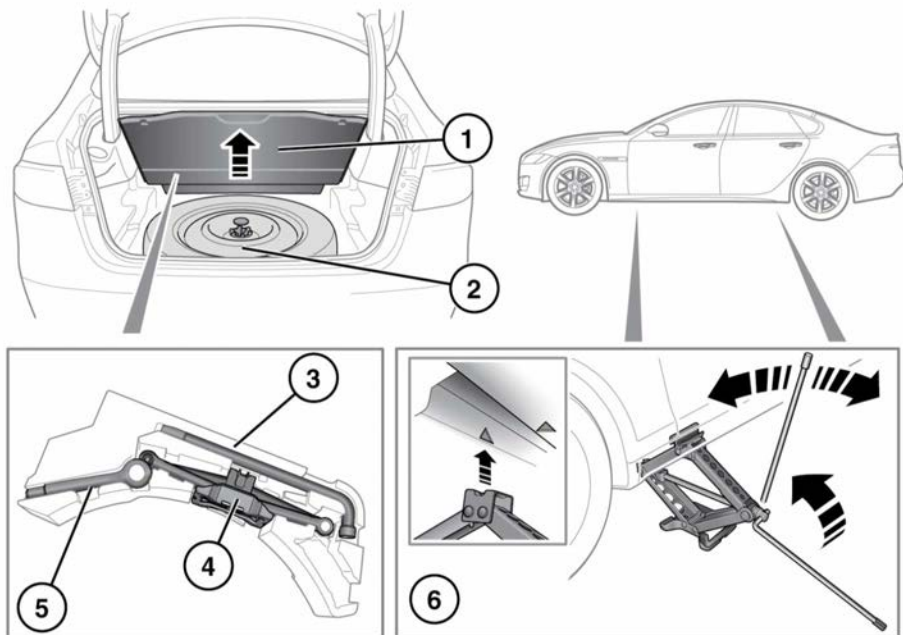
After wheel changing, always secure tools, jack and replaced wheel in their correct stowage positions. Such objects, if not properly stowed, can become propelled objects in a crash or rollover, potentially causing injury or death.

## WARNING

Always make sure that replacement tires have the correct rating and specifications (e.g., load index, size, speed rating) for your vehicle.

# Wheel changing

## WHEEL CHANGING



E180157

1. Luggage compartment floor panel: Lift the rear edge and secure to the vehicle's body.
2. Temporary-use spare wheel retaining bolt/clamp.
3. Wheel brace.
4. Jack assembly. Observe the instructions printed on the jack.
5. Towing eye.
6. There are 4 jacking points on the underside of the floor. 2 indented, triangular indicators are provided on each sill cover. These indicate the location for the jack.

### **⚠ WARNING**

**Remove the spare wheel prior to jacking the vehicle, to avoid destabilizing the vehicle when raised.**

See 237, **IMPORTANT – USE OF SPARE TIRE** and 236, **REMOVING THE SPARE WHEEL.**

### **⚠ WARNING**

**Before raising the vehicle, refer to all Warnings at the beginning of this section of the Owner's Handbook.**

Before changing a wheel, read and observe the warnings, see 232, **WHEEL CHANGING SAFETY.**

## **NOTICE**

*Only jack the vehicle using the jacking points described, or damage to the vehicle could occur.*

Before raising the vehicle, use the wheel nut brace to slacken the wheel nuts of the wheel to be replaced, by half a turn counter-clockwise. Use wheel chocks. See **237, USING WHEEL CHOCKS**.

1. Open the luggage compartment. See **11, OPENING AND CLOSING THE LUGGAGE COMPARTMENT**.
2. Lift the rear edge of the luggage compartment floor panel and secure it to the vehicle's body.
3. Continually rotate the spare wheel's retaining center clamp plate counter-clockwise to release and then continually rotate the top plate of the center bolt counter-clockwise to completely remove the retaining plate/bolt assembly. See **236, REMOVING THE SPARE WHEEL**.
4. Remove the spare wheel and the vehicle's tool kit.
5. Fit the wheel chocks to the relevant wheel. See **237, USING WHEEL CHOCKS**.

## **⚠ WARNING**

**Make sure that the wheel chock is fully engaged with the tire and the road surface.**

6. Use the wheel brace to loosen the wheel nuts, by turning half a turn counter-clockwise.

## **⚠ WARNING**

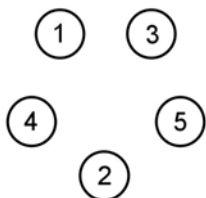
**Do not remove the wheel nuts until the vehicle has been safely and securely raised with the jack.**

7. Position the jack under the relevant jacking point, under the floor.

**Note:** *Do not allow the jack to contact the sill at any other point, as damage may result.*

8. Turn the jack lever clockwise to raise, until the jack head locates into the jacking point. Make sure that the base of the jack is in full contact with the road surface.
9. Raise the vehicle using the jack, with a slow steady operation. Avoid rapid, jerky actions as they may cause the vehicle/jack to become unstable.
10. Stop when the tire is just clear of the ground.
11. Remove the loosened wheel nuts and place them together where they cannot roll away.
12. Remove the wheel and place to one side. Do not lay the wheel on its face, as this may damage the finish.
13. Fit the spare wheel to the vehicle, by aligning the spare wheel with the vehicle's wheel studs and then slide onto the hub.
14. Refit the wheel nuts and then lightly tighten them in the sequence shown in the illustration. Make sure that the wheel is correctly and evenly fitted to the hub, by checking that each wheel nut is in a similar position.
15. Make sure that the space under the vehicle is clear of obstructions, then lower the vehicle slowly and smoothly.
16. With all wheels on the ground and the jack removed, fully tighten the wheel nuts, in the sequence shown in the illustration, to the correct torque of 92 lb.ft (125 Nm).

# Wheel changing



E132675

**Note:** If it is not possible to torque the wheel nuts when a wheel is replaced, they should be set to the correct torque as soon as possible.

If an alloy spare wheel is to be fitted, using a suitable blunt tool, knock the center cap out of the removed wheel. Using hand pressure only, press the center cap into the newly fitted spare.

Check and adjust the tire pressure as soon as possible. See **220, TIRE PRESSURES**.

**Note:** Examine the jack occasionally. Clean and grease the moving parts, particularly the screw thread, to prevent corrosion.

## REMOVING THE SPARE WHEEL

### ⚠ WARNING

Remove the spare wheel prior to jacking the vehicle, to avoid destabilizing the vehicle when raised.

### ⚠ WARNING

Wheels are heavy and if handled incorrectly may cause injury. Use extreme caution when lifting, lowering, and maneuvering the wheels.

### ⚠ WARNING

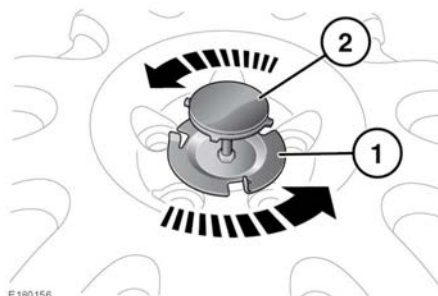
Always secure the spare wheel, or the removed wheel, in the correct position, using the retaining bolt.

### ⚠ WARNING

Do not stow the wheel while the vehicle is raised on the jack.

### ⚠ WARNING

After wheel changing, always secure tools, jack, and the replaced wheel in their correct stowage positions. Such objects, if not properly stowed, can become flying missiles in a crash or rollover, potentially causing injury or death.



E180156

Always remove the spare wheel before jacking the vehicle. Raise and secure the luggage compartment floor panel:

1. Continually rotate the spare wheel center clamp plate counter-clockwise to release.
2. Continually rotate the top plate of the center bolt counter-clockwise to completely remove.

Reverse the whole procedure to refit.

**Note:** Before removing the spare wheel, take note of its stowage position. The wheel to be changed must be correctly stowed and secured in its place.

## USING WHEEL CHOCKS

### **WARNING**

Always chock the wheel diagonally opposite the wheel to be changed. Chock the front of a front wheel, or the rear of a rear wheel.

### **WARNING**

If jacking the vehicle on a slight slope is unavoidable, place chocks on the downhill side of the two opposite wheels.

## IMPORTANT – USE OF SPARE TIRE

### **WARNING**

Adhere to the instructions on the temporary spare warning label, affixed to the wheel.

### **WARNING**

Where fitted the temporary use spare wheel is **FOR TEMPORARY USE ONLY**. Drive with caution while the temporary spare wheel is fitted. Make sure that an original size wheel and tire are fitted as soon as possible.

### **WARNING**

Do not fit more than one temporary spare wheel on the vehicle at any one time.

### **WARNING**

Do not exceed 50 mph (80 km/h) while the temporary spare wheel is fitted.

### **WARNING**

The temporary spare wheel must be inflated to 60 psi (4.2 Bar/420 kPa) and cannot be repaired.

### **WARNING**

DSC must be switched on while the temporary spare wheel is in use.

### **WARNING**

TracDSC must be switched off while the temporary-use spare wheel is in use.

### **WARNING**

Traction devices, such as snow chains, cannot be used with a temporary spare wheel.