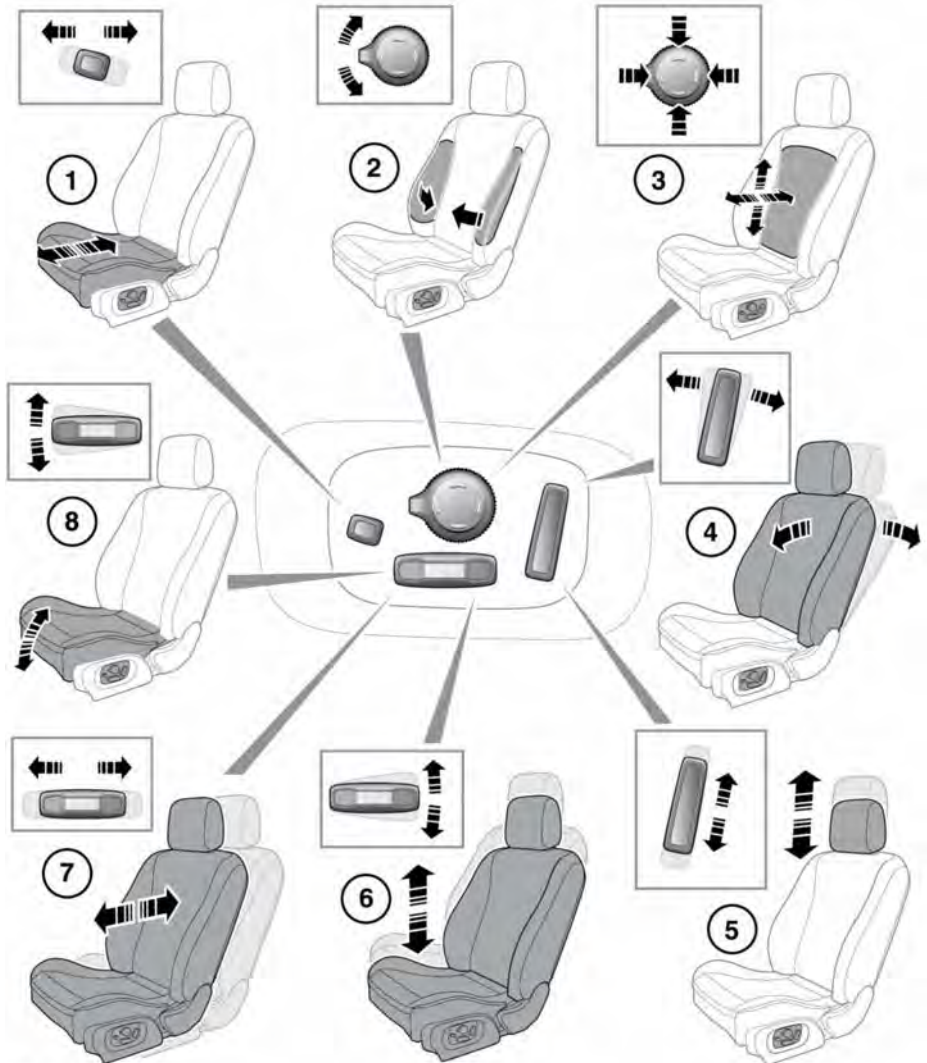


ELECTRIC SEATS



E167175



Do not adjust the seat while the vehicle is moving. Doing so could cause a loss of vehicle control and personal injury.

1. Cushion length adjustment.
2. Bolster adjustment (inflate/deflate).

Front seats

3. Lumbar support adjustment.
4. Seatback angle adjustment.
5. Head restraint height adjustment.
6. Height adjustment.
7. Forward and rearward adjustment.
8. Cushion front tilt adjustment.

To adjust the seats, the Smart key must be in the vehicle and the ignition switched on.

If an obstruction is encountered while the seat is in motion, the seat will stop moving and further movement will be restricted until reset.

To reset the seat:

1. Remove the obstruction.
2. Adjust the seat to the point where movement is restricted.
3. Press and hold the switch for at least 2 seconds to override the restriction.

PASSENGER SEAT AWAY

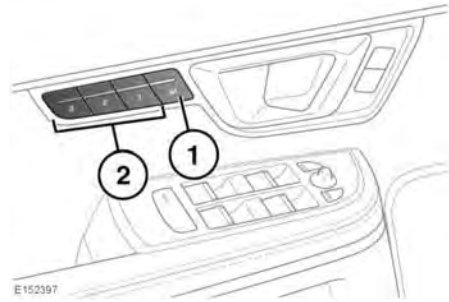


E135027

When fitted, the driver can adjust the position of the front passenger seat. Press for forward or rearward adjustment.

Note: Passenger seat away will not function if the front passenger seat belt is fastened.

DRIVING POSITION MEMORY



E152397

1. Memory set button.
2. Memory presets.

Once you have adjusted the driver's seat, steering column (**22, ADJUSTING THE STEERING WHEEL**) and exterior mirrors (**56, EXTERIOR MIRRORS**) the vehicle can memorise these settings using the driver memory buttons.

Once the passenger seat has been adjusted, these settings can be memorised using the passenger memory buttons.

1. Press the memory set button to activate the memory function.
2. Press one of the preset buttons within 5 seconds to memorise the current settings. For the driver's settings, **MEMORY 1 (2 or 3) SETTINGS SAVED** will be displayed on the message centre accompanied by an audible chime to confirm the settings have been memorised.

A seat position can only be memorised during the 5 second period.

Any existing settings for a memory preset will be over-written when programming a memory position.

RECALLING A MEMORISED POSITION

Press the appropriate memory preset button (for the driver's settings, **MEMORY 1 (2 or 3) SETTINGS RECALLED** will be displayed in the Message centre).

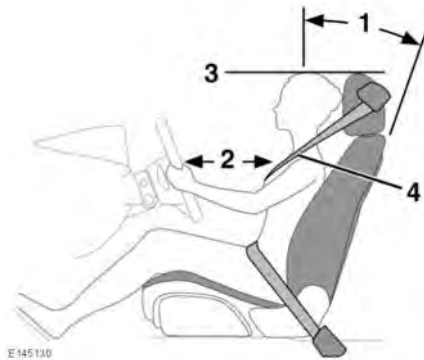
RESTRICTED SEAT TRAVEL

If an obstruction is encountered while the seat is in motion, the seat will stop moving and further movement will be restricted until reset.

To reset the seat:

1. Remove the obstruction.
2. Adjust the seat to the point where movement is restricted.
3. Press and hold the switch for at least 2 seconds to override the restriction.

SITTING IN THE CORRECT POSITION



The driver and front passenger must not ride with the seat fully reclined.



Do not adjust the seat while the vehicle is moving.

The seat, head restraint, seat belt and airbags, all contribute to the protection of the user. Correct use of these components will give you greater protection, therefore you should observe the following points:

1. Sit in an upright position, with the base of your spine as far back as possible. To achieve optimum benefit of the seat belt in the event of an accident, do not recline the seat excessively.
2. Do not move the driver's seat too close to the steering wheel. Ideally, a minimum distance of 254 mm is recommended between the breastbone and the steering wheel airbag cover. Hold the steering wheel in the correct position with your arms slightly bent.
3. Adjust the head restraint so that the top of the head restraint is above the centre line of the head.
4. Position the seat belt so that it is mid-way between your neck and your shoulder. Fit the strap tightly across your hips, not across your stomach.

Make sure that your driving position is comfortable and enables you to maintain full control of the vehicle.

TOUCH SCREEN SEAT COMFORT AND ADJUSTMENT

The front and rear seat heating or cooling temperature and the driver's remote adjustment of the seating positions, can all be controlled from the front Touch screen. See **141, SEAT COMFORT AND ADJUSTMENT**.