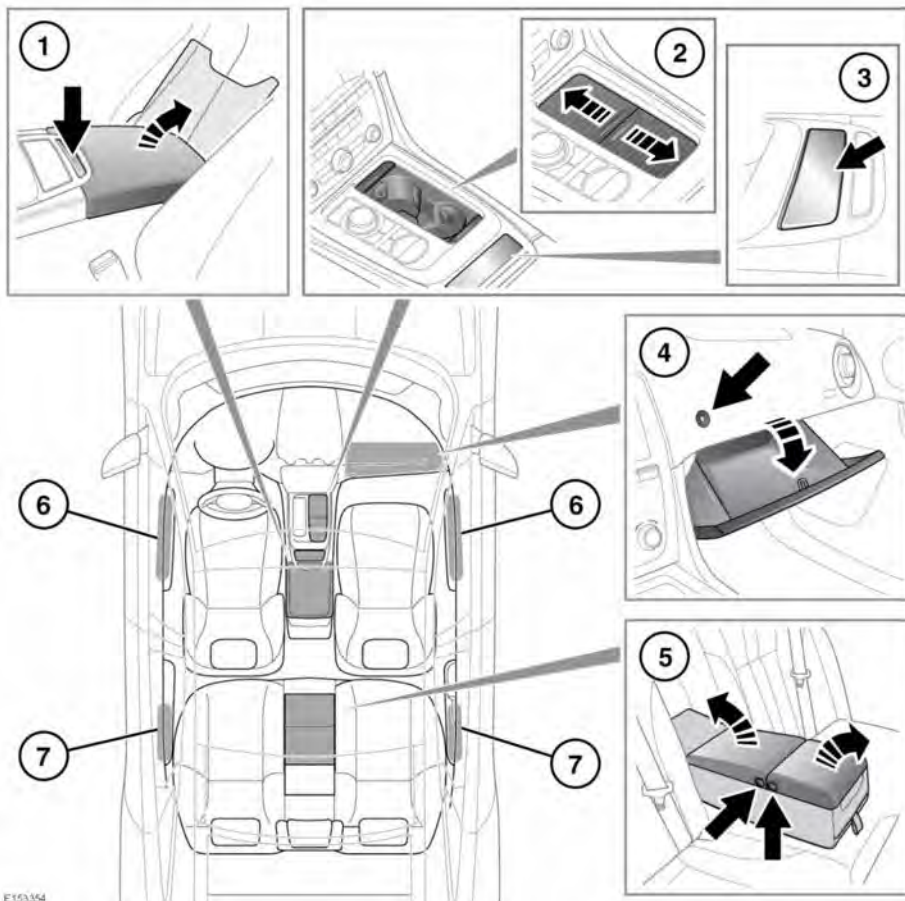


STORAGE COMPARTMENTS



E163354

1. Cubby box: To access, press the button.
2. Cup holders: To access, slide the covers apart.

⚠ Do not drink, or use the drinks holders when driving.

3. Storage area or ashtray (depending on vehicle specification): Press and release, where indicated, to open.

4. Glove-box: Open using the glove-box release (arrowed).

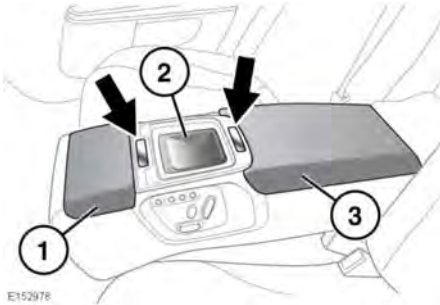
Note: When Valet Mode is selected, the glove-box release is disabled.

5. Rear armrest cubby box: Press the side catches to access the cup holders or storage area.
6. Front door stowage.

Storage compartments

7. Rear door stowage.

Executive class rear seats



1. Cup holders: To access, press the button.



Do not drink, or use the drinks holders when driving.

2. Storage area.

3. Rear storage compartment: To access, press the button.

AUXILIARY POWER SOCKETS



Only use Jaguar approved accessories. Using any other equipment may damage the vehicle's electrical system. If you are in any doubt, contact a Retailer/ Authorised Repairer.



To access the auxiliary power sockets, remove or pull out the protective cover.

For vehicles fitted with cigar lighters, these are also auxiliary power sockets. To access the socket, remove the cigar lighter.