





TYRE PRESSURE MONITORING SYSTEM (TPMS)

 The TPMS provides a low pressure warning and does not re-inflate your tyres. Tyre pressures should be checked regularly, using an accurate pressure gauge when the tyres are cold.

 The TPMS can NOT register damage to a tyre. Regularly check the condition of your tyres.

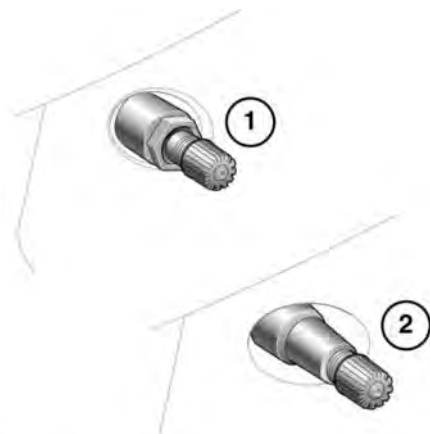
 When inflating tyres, care should be taken to avoid bending or damaging the TPMS valves. Always make sure that the inflation head is correctly aligned to the valve stem.

 To avoid damage to TPMS valves, it is recommended not to use rigid tyre inflation wands. This is to avoid the risk of excess leverage and sideways pressure on the valve.

Note: Non-approved accessories may interfere with the system. If this occurs, **TYRE PRESSURE MONITORING FAULT** is displayed in the Message centre.

Note: Different types of tyre may affect performance of the TPMS. Always replace tyres in accordance with recommendations.

The TPMS constantly monitors the tyre pressure in each wheel. Temporary-use spare wheels (when fitted) are not monitored.



Wheels fitted with a TPMS can be visually identified by the external metal lock nut and valve (1). All Jaguar non-TPMS wheels have a rubber valve fitted (2).

Tyre pressures should be checked regularly when the tyres are cold, and adjusted as necessary. The presence of a TPMS does not remove the need to do this.

The tyre pressure warning lamp illuminates when one or more of the tyres are significantly under-inflated. See **54, TYRE PRESSURE MONITORING SYSTEM (YELLOW)**. Stop and check the tyres as soon as possible, and inflate them to the recommended pressure for the vehicle's loading condition.

TYRE PRESSURE CHECK

The Instrument panel can be used to display the vehicle's tyre pressures. The tyre pressure figures can be accessed via the **Vehicle Information** menu.

For more information, see **47, INSTRUMENT PANEL MENU**.