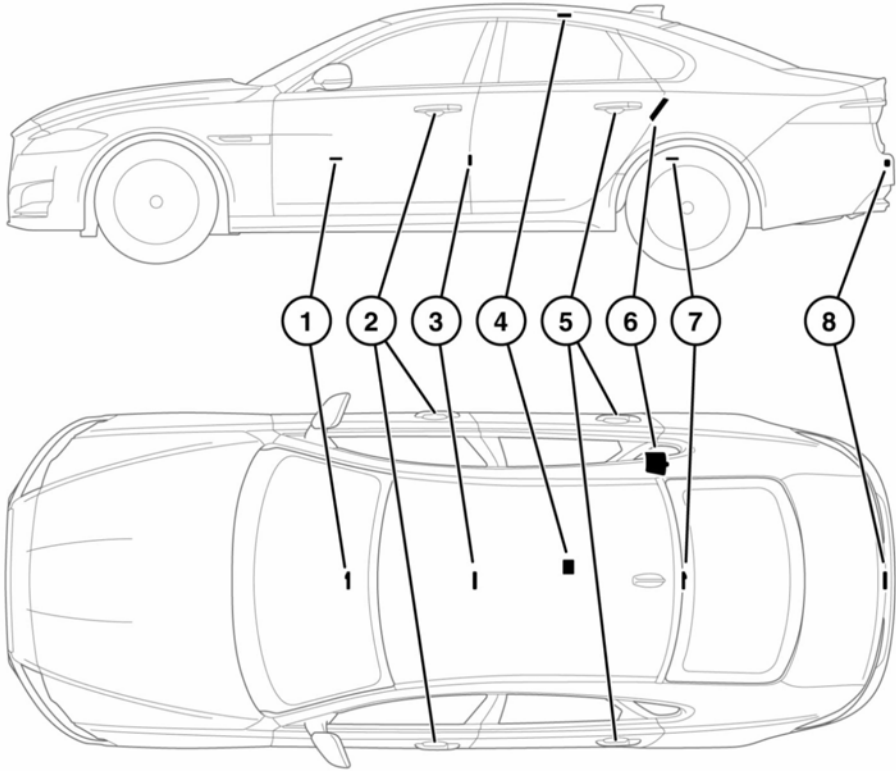


# Technical specifications

## SMART KEY TRANSMITTER LOCATIONS



E175531

1. Cabin front floor transmitter.
2. Front door handle transmitter.
3. Cabin middle floor transmitter.
4. Cabin roof transmitter.
5. Rear door handle transmitter.
6. Keyless vehicle module.
7. Cabin rear floor transmitter.

8. Rear bumper transmitter.



**Any person fitted with an implanted medical device should make sure that the device is kept at a distance of at least 22 cm away from any transmitter mounted in the vehicle. This is to avoid any possibility of interference between the system and the device.**