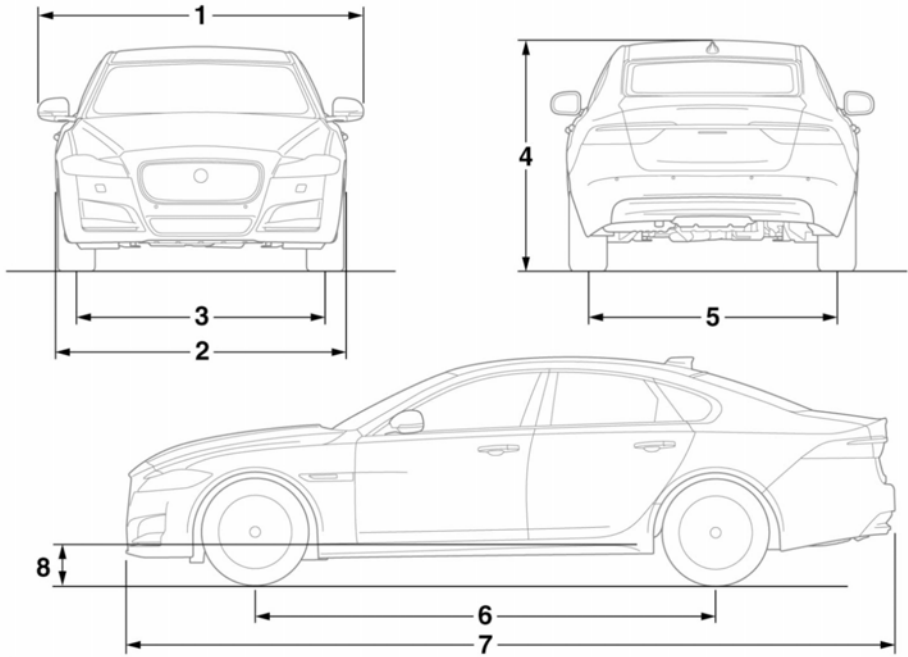


# Technical specifications

## DIMENSIONS



E175530

| Item | Description                                  | mm    |
|------|--|-------|
| 1    | Overall width                                | 2 091 |
| 2    | Body width                                   | 1 880 |
| 3    | Track - front (vehicles with 20 inch wheels) | 1 597 |
|      | Track - front (all other wheel sizes)        | 1 605 |
| 4    | Height                                       | 1 457 |
| 5    | Track - rear (vehicles with 20 inch wheels)  | 1 586 |
|      | Track - rear (all other wheel sizes))        | 1 594 |
| 6    | Wheelbase                                    | 2 960 |
| 7    | Length                                       | 4 954 |

# Technical specifications

| Item | Description  | mm           |
|------|--|--------------|
| 8    | Maximum wading depth<br>Maximum wading speed is 7 km/h (4 mph) | 300          |
| -    | Turning circle (wall to wall)                                  | 11.94 metres |