

REMOVING THE DETACHABLE TOW BALL

Remove the Detachable tow ball as follows:

1. Insert the key and turn it counter-clockwise to unlock.
2. Remove the key, then supporting the tow ball, press and turn the locking lever away from you to release.
3. Remove the tow ball from the tow bar and stow it in the luggage compartment stowage area, in the bag provided.

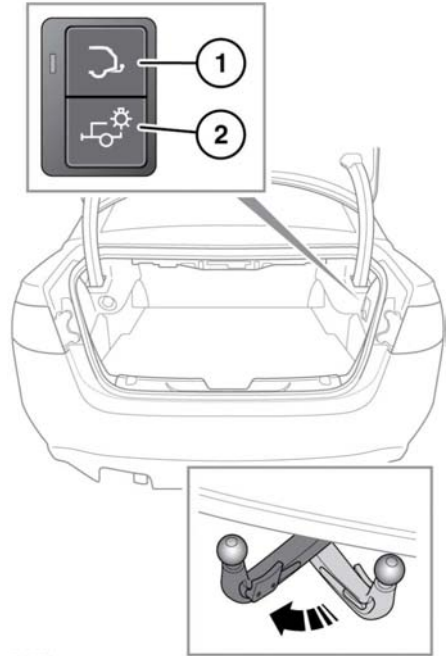
POWERED TOW BALL

Before activating the powered tow ball, make sure that:

- Any trailer is unhitched.
- Any trailer electrical connections are disconnected.
- The vehicle is stationary.
- The luggage compartment lid is open.
- The vehicle's transmission is engaged in Park (P) or neutral.

Failure to comply with the above conditions will prevent the powered tow ball from operating. Also a short warning tone will sound if the powered tow ball button is pressed.

Note: If the powered tow ball does not function correctly, refer to a Dealer/Authorised Repairer.



E167068

1. Powered tow ball button: Press and release to deploy the powered tow ball. Press and release again to stow the powered tow ball.
 - The LED indicator lamp, by the side of the button, will flash slowly while the powered tow ball is being deployed or stowed. An audible tone will also sound.
 - Once deployed, the LED indicator lamp will stop flashing and will be solidly lit.
 - Once stowed, the LED indicator lamp will stop flashing and will be solidly lit for 2 seconds and will then extinguish.
 - To stop movement of the powered tow ball, press the tow ball button. To reset the tow ball, press the tow ball button again. During the reset operation, the powered tow ball will fully stow and then fully deploy.