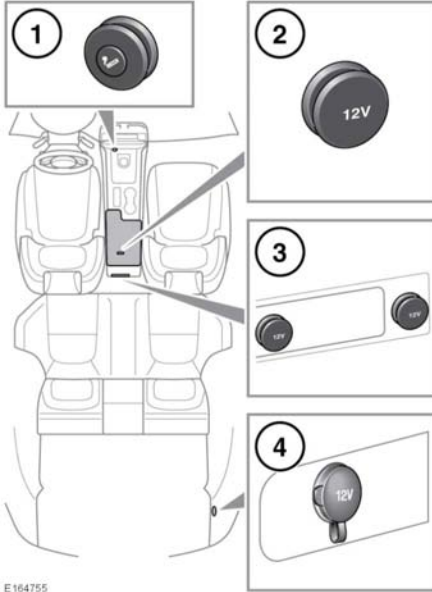


# Storage compartments

5. Front door stowage.
6. Front seat map pockets.
7. Rear door stowage.
2. Centre power socket.
3. Rear power socket.
4. Luggage compartment power socket.

## AUXILIARY POWER SOCKETS



⚠ Only use, Jaguar Land Rover Limited, approved accessories. Using any other equipment may damage the vehicle's electrical system and/or cause battery discharge. If you are in any doubt, contact a Dealer/Authorised Repairer.

⚠ The engine should be running when using accessories for long periods. Failure to do so can discharge the battery.

**Note:** Power sockets can be used to power approved accessories that use a maximum of 120 Watts.

1. Front power socket.