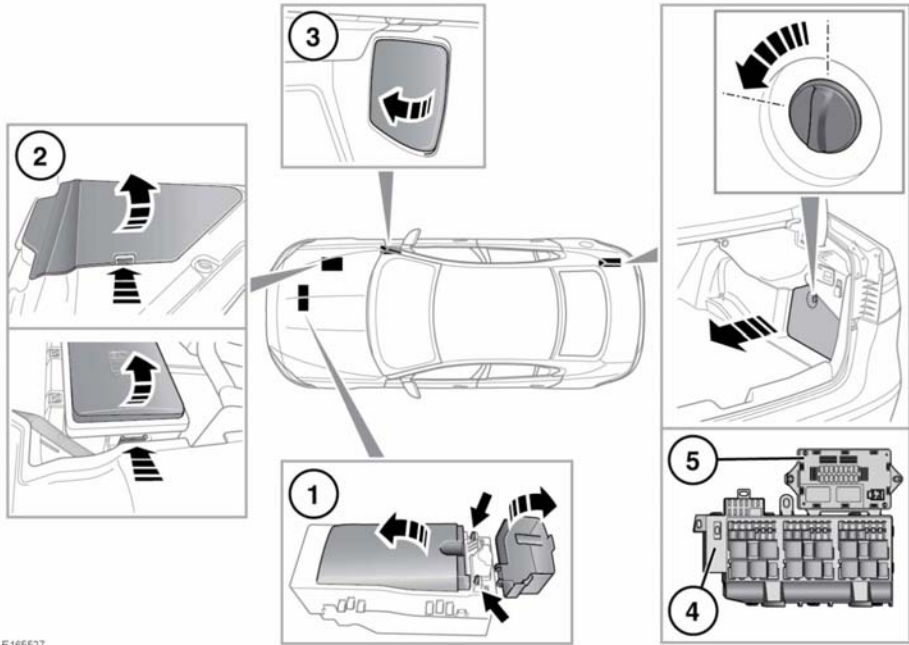


FUSE BOX LOCATIONS



E165527

! When a fuse box lid is removed, take care to protect the box from moisture, and refit the lid at the earliest opportunity.

There are 5 separate fuse boxes fitted to the vehicle, each one containing fuses protecting a different group of circuits.

1. Engine compartment front fuse box:

- Lift up the positive booster terminal cover. Press and hold the fuse box cover retaining clips and then lift to open the cover.

2. Engine compartment rear fuse box:

3. Passenger compartment fuse box, located on the right-side 'A' pillar, below the fascia:

- Remove the under bonnet cover by lightly pressing and holding the retaining clip, then lift to release and pull to remove. See **187, UNDER BONNET COVERS - REMOVAL**.

Press and hold the fuse box cover retaining clip to lift and pull to remove.

- Use a suitable tool to unclip and release the rearward edge of the panel, and then pull to remove.

Note: Note the orientation of the panel to aid refitting.

4. Luggage compartment lower fuse box: