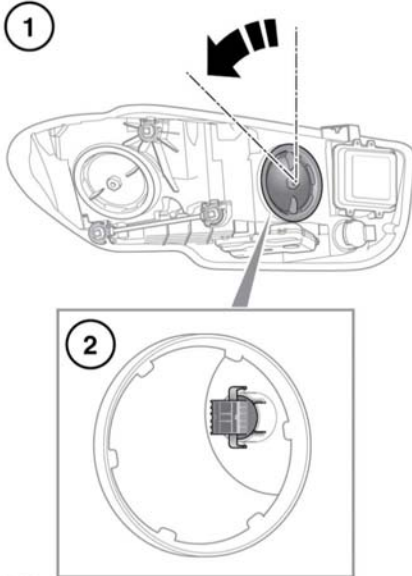


## Xenon headlamp direction indicator bulb

The air cleaner will have to be removed to allow access to the left side headlamp and also for the right side headlamp for vehicles with a 3.0L petrol engine. See the air cleaner removal information, **188, HEADLAMP BULB REPLACEMENT - HALOGEN HIGH BEAM.**



1. Rotate the headlamp cover, approximately 45 degrees counter-clockwise to release and remove.

**Note:** Note the orientation of the cover to aid refitting.

2. Pull the bulb holder to remove it from the headlamp.

**Note:** Note the orientation of the bulb holder to aid refitting.

3. Pull the bulb to remove it from the bulb holder.

**Note:** Note the orientation of the bulb to aid refitting.

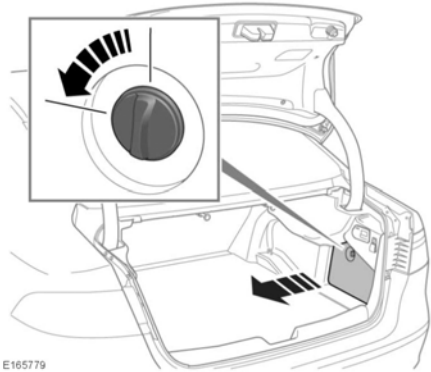
Reverse the removal procedure to install a new bulb.

## REAR LAMP REMOVAL

See **187, CHANGING A BULB.**

Identify the location/s of the bulb/s to be changed and then release/remove the relevant luggage compartment access panel.

### Right side access panel

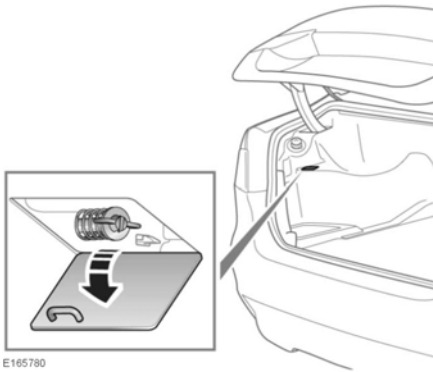


E165779

Turn the retaining lug, 90 degrees counter-clockwise, to release, then lower and lift to remove.

Reverse the removal procedure to refit.

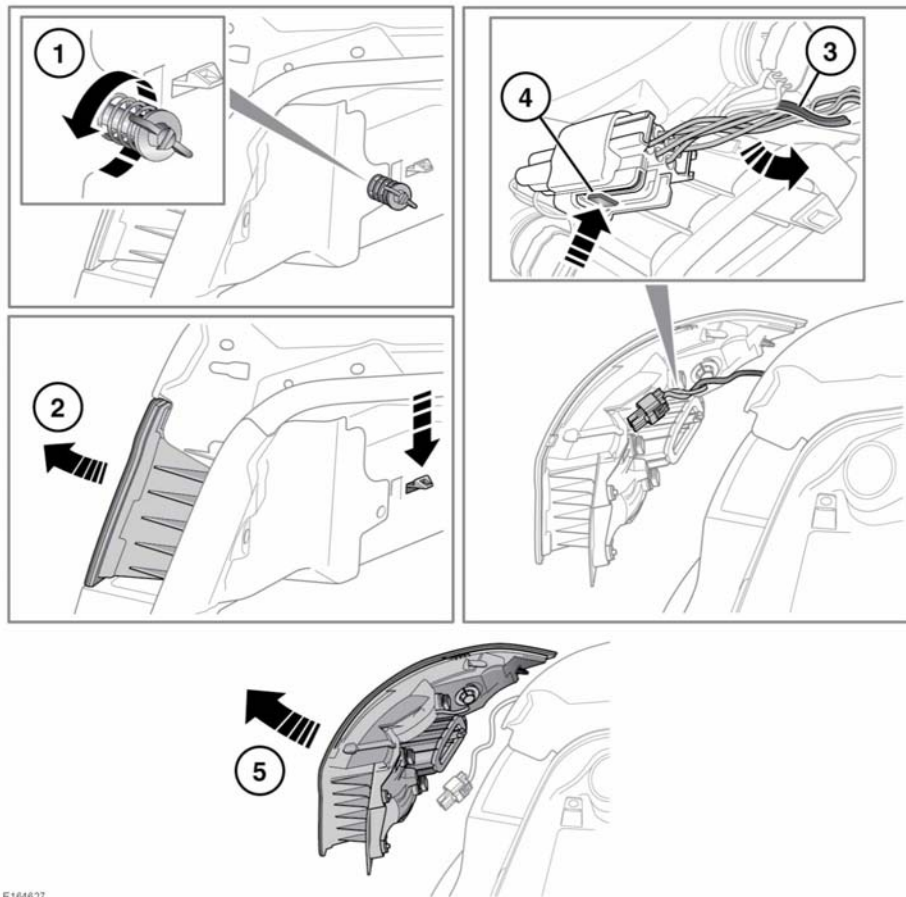
## Left side access panel



Turn the retaining lug, 90 degrees counter-clockwise, to release and then pull to lower.

Reverse the removal procedure to refit.

## Rear lamp removal



E164627

1. Continually rotate the rear lamp's retaining bolt, counter-clockwise, until fully released and then remove.
2. Lightly press down and hold the rear lamp's retaining lug and then carefully move the rear lamp a small distance away from the vehicle. This will now allow access to the rear lamp's electrical connection.

- !** Do not completely remove the rear lamp from the vehicle until the vehicle's wiring loom has been released and disconnected, as this may damage the vehicle's wiring loom and the rear lamp.
3. Release the vehicle's wiring loom from the rear lamp's retaining lug.