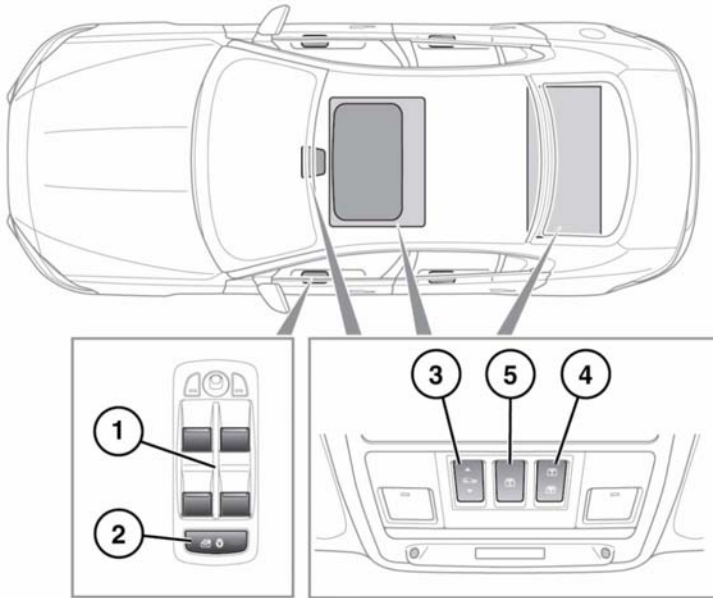


ELECTRIC WINDOWS



E166373

1. Window switches:

Note: Each switch has a 2-stage operation. Lightly press/pull and hold to manually operate to the required position. Alternatively, press/pull fully and release for fully (one-touch) automatic operation. Fully automatic operation can be halted at any time, by operating the switch again.

- Press the front of the switch to partially/fully open.
- Pull the front of the switch to partially/fully close.

Note: The windows will operate for 5 minutes after the engine is switched off, as long as none of the doors are opened.



Make sure that the Smart key is removed when leaving passengers in the vehicle. This will prevent unsupervised operation of the windows and sunroof, which may result in injury.



Any ice must be removed from the windows before operating.

2. Rear window isolator.



If children are carried in the rear seats, the isolator switch should be used to prevent operation of the rear windows.

3. Sunroof: