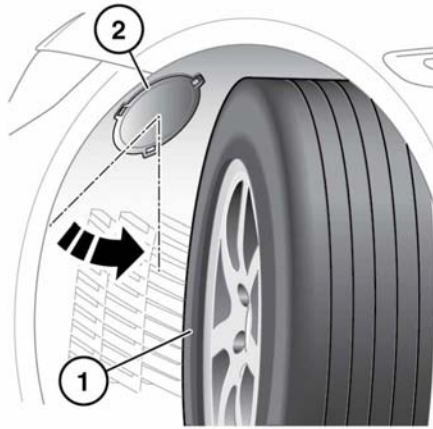
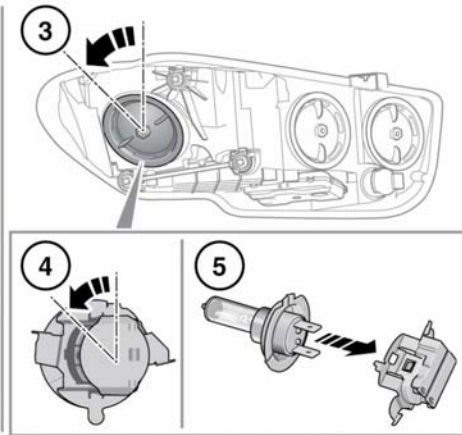


HEADLAMP BULB REPLACEMENT - HALOGEN LOW BEAM

⚠ See 187, CHANGING A BULB.



E164895



⚠ **To prevent the vehicle from moving and causing personal injury, make sure that the Electric parking brake is applied.**

1. To allow for greater access, start the engine and turn the steering onto the relevant full lock. Switch off the ignition.
2. Rotate the vehicle cover, approximately 45 degrees counter-clockwise to release and then pull to remove.
3. Rotate the headlamp cover, approximately 45 degrees counter-clockwise to release and then pull to remove.

Note: Note the orientation of the cover to aid refitting.

4. Rotate the bulb holder, approximately 45 degrees counter-clockwise to release and then pull to remove.

Note: Note the orientation of the bulb holder to aid refitting.

5. Pull the bulb to remove it from the bulb holder.

Note: Note the orientation of the bulb to aid refitting.

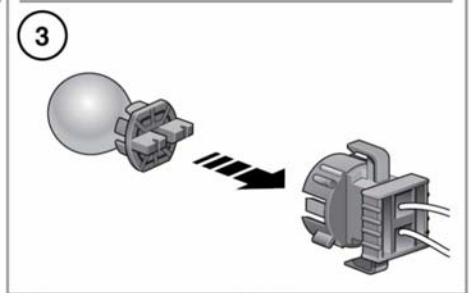
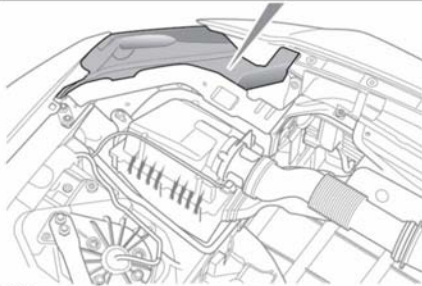
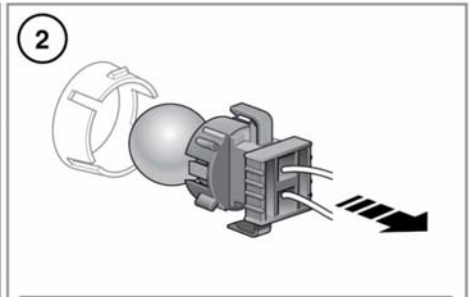
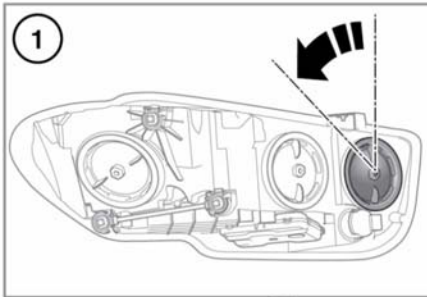
Reverse the removal procedure to install a new bulb.

- ⚠ Make sure to straighten the steering system before driving the vehicle.

FRONT DIRECTION INDICATOR BULB REPLACEMENT

⚠ See 187, CHANGING A BULB.

Halogen headlamp direction indicator bulb



E164626

1. Rotate the headlamp cover, approximately 45 degrees counter-clockwise to release and remove.

Note: Note the orientation of the cover to aid refitting.

2. Pull the bulb holder to remove it from the headlamp.

Note: Note the orientation of the bulb holder to aid refitting.

3. Pull the bulb to remove it from the bulb holder.

Note: Note the orientation of the bulb to aid refitting.

Reverse the removal procedure to install a new bulb.