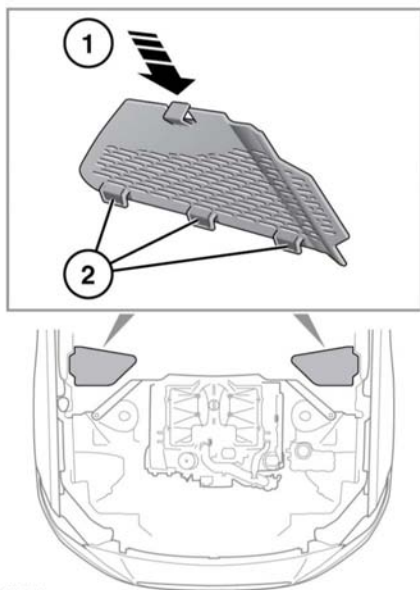


1. Lower the bonnet until the safety catch engages. Using both hands, press the bonnet down until the bonnet securing latch clicks to confirm full engagement.
2. Check that the securing latch is fully engaged, by attempting to lift both sides of the front edge of the bonnet. This should be free from all movement.

UNDER BONNET COVERS - REMOVAL



E165288

Open the bonnet and follow the procedure below:

1. Lightly push back and hold the cover's front retaining lug.
2. Lift up the cover and slide forwards to release the rear locating lugs.

UNDER BONNET COVERS - REFITTING

Open the bonnet and follow the procedure:

1. Locate the cover's rear locating lugs into the vehicle's panel.
2. Lightly press down the cover to engage the front retaining lug into the vehicle's panel.

Note: *The cover should be a flush fit and aligned to the vehicle's panel.*

CHANGING A BULB



If the exterior lamps have just been switched off, give the bulbs time to cool. Handling them when hot may cause personal injury.



To avoid personal injury, due to any possible residual electrical current, make sure not to touch any electrical connectors or circuit boards while changing a bulb. If removal of the outboard rear lamp is required, always wear appropriate gloves when disconnecting the wiring loom from the rear lamp.



Always replace bulbs with the correct type and specification. If you are in any doubt, contact a Dealer/Authorised Repairer for advice.



Before attempting a bulb change, make sure that the ignition and the affected lamp are switched off. If the circuit remains live, a short circuit can occur, which may damage the vehicle's electrical system.

Not all bulbs are renewable, for the specification of those which are see **254, BULB SPECIFICATION**.

All the other lamps should only be renewed or serviced by qualified personnel.