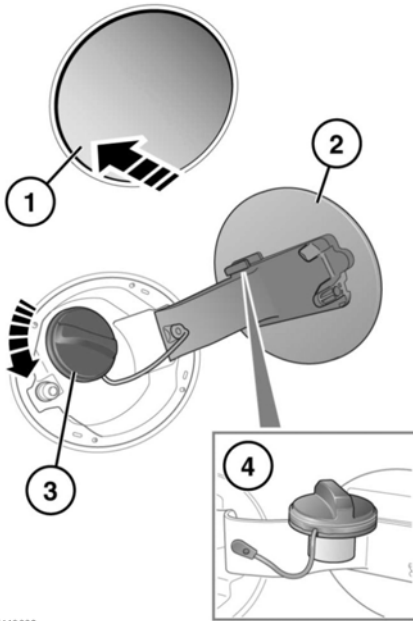


FUEL FILLER FLAP



E149660

1. Press and release the flap (in the area indicated) to unlatch.
2. Pull the flap open. The label on the inside of the flap indicates the correct fuel for the vehicle.
3. Twist the cap counter-clockwise to undo.
4. Stow the cap on the lip provided, on top of the hinge arm, as shown.

When replacing the cap, turn it clockwise until the ratchet clicks. Failure to do so, may cause the engine malfunction warning lamp to illuminate. If the warning lamp illuminates, make sure that the cap is fitted properly.

To close the filler flap, push the flap until latched closed.

FUEL FILLER

⚠ WARNING

Take note of all warnings and instructions given on the label affixed to the inside of the fuel filler flap. Failure to do so may result in injury or death.

⚠ WARNING

When refueling make sure that the roof, windows, and doors are fully closed, particularly if young children or animals are in the vehicle.

⚠ WARNING

Do not attempt to fill the tank to its maximum capacity. If the vehicle is to be parked on a slope, in direct sunlight or high ambient temperature, expansion of the fuel could cause spillage, potentially leading to a fire or explosion.

NOTICE

Check the fuel pump information carefully to make sure that you are putting the correct fuel into the vehicle.

NOTICE

If the vehicle is filled with the incorrect fuel, it is essential that you seek qualified assistance before you start the engine.

Fuel station pumps are equipped with automatic cut-off sensing to avoid fuel spillage. Fill the tank until the filler nozzle automatically cuts off the supply and do not attempt to fill the tank beyond this point.