

TIRE PRESSURE MONITORING SYSTEM

⚠ WARNING

TPMS provides a low pressure warning and does not re-inflate your tires. Tire pressures should be checked regularly, when cold, using an accurate pressure gauge.

⚠ WARNING

TPMS can NOT register damage to a tire. Regularly check the condition of your tires.

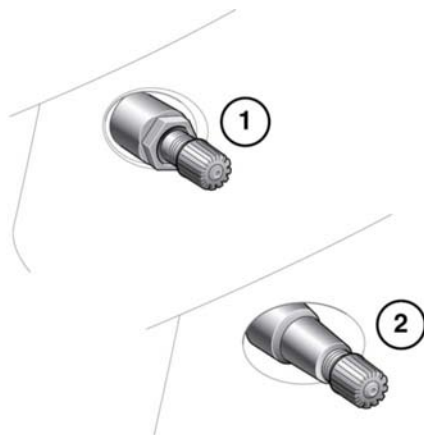
NOTICE

When inflating tires, care should be taken to avoid bending or damaging the TPMS valve. Always confirm correct alignment of the inflation head to the valve stem.

Note: Non-approved accessories may interfere with the system. If this occurs, **TIRE PRESSURE MONITORING FAULT** is displayed in the Message center.

Note: Different types of tire may affect TPMS performance. Always replace tires in accordance with recommendations.

TPMS constantly monitors the tire pressure in each wheel except, for the temporary-use spare tire (when fitted) which is not monitored.



E132513

Wheels fitted with TPMS can be visually identified by the external metal lock nut and valve (1). All Jaguar non-TPMS wheels have a rubber valve fitted (2).

Each tire, including the spare (if provided), should be checked monthly when cold and inflated to the inflation pressure recommended by the vehicle manufacturer on the vehicle placard or tire inflation pressure label (If your vehicle has tires of a different size than the size indicated on the vehicle placard or tire inflation pressure label, you should determine the proper tire inflation pressure for those tires).

As an added safety feature, your vehicle has been equipped with a Tire Pressure Monitoring System (TPMS) that illuminates a low tire pressure telltale when one or more of your tires is significantly under-inflated. see **48, TIRE PRESSURE MONITORING SYSTEM (YELLOW)**.