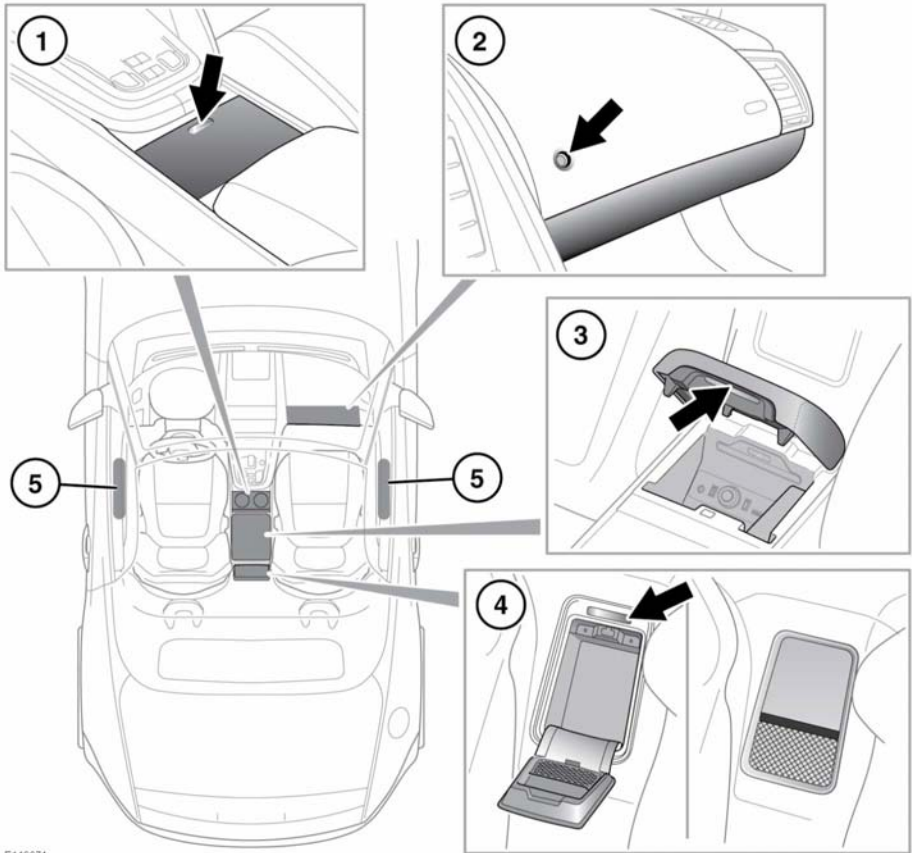


STORAGE COMPARTMENTS



E149974

1. Cup holders: Press the button on the lid and release to access the cup holders.

⚠ WARNING

Do not drink, or use the cup holders, when driving. Driver distraction can lead to accidents, causing serious injury or death.

2. Glove box: Open using the glove box release (arrowed).
3. Cubby box: To raise the lid, press the button under the front lip.
4. Rear storage compartment: To open the lid, press the button above the storage compartment, or store items behind the storage net.
5. Door storage.

Note: The rear storage compartment lid may have a lock which will operate when the vehicle is locked/unlocked.

Storage compartments

NOTICE

Only use approved accessories.

Auxiliary power sockets

There are 2 auxiliary power sockets, one is located on the center console, see **242, DRIVER CONTROLS** and the other is in the cubby box.