

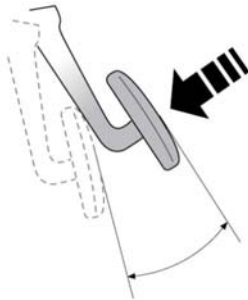
## CAPACITIES

Item	Variant	Capacity pints (liters)
Engine oil refill and filter change	All Wheel Drive (AWD) vehicles	13.7 (6.5)
	Rear Wheel Drive (RWD) vehicles	15.3 (7.25)
Washer reservoir	All vehicles	11.6 (5.5)
Engine cooling system	3.0L	20.3 (9.6)
	5.0L	19.4 (9.2)
Air conditioning refrigerant	All vehicles	600 g ± 25 g
Air conditioning compressor oil	All vehicles	80 cc

The quoted capacities are approximate and provided as a guide only. All levels must be checked using the level marks or information displayed in the Message center, as applicable.

For fuel tank capacities, see **154, FUEL TANK CAPACITY**.

## CLUTCH AND BRAKE PEDAL TRAVEL

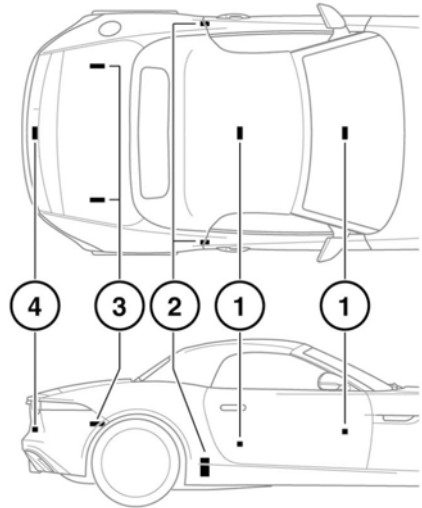


E156235

Clutch pedal travel is set at the factory and is non-adjustable.

The brake pedal travel is set at the factory and is non-adjustable. The brake pedal free travel is up to 5mm.

## SMART KEY TRANSMITTER LOCATIONS



E149270

1. Cabin transmitters.
2. Door handle transmitters.
3. Luggage compartment interior transmitters.
4. Luggage compartment exterior transmitter.