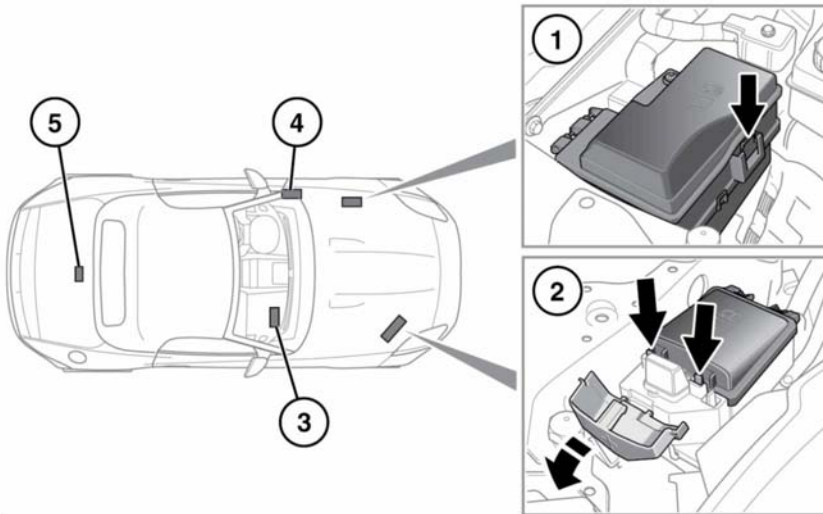


FUSE BOX LOCATIONS



E149218

NOTICE

When a fuse box lid is removed, take care to protect the box from moisture, and refit the lid at the earliest opportunity.

There are 5 separate fuse boxes fitted to the vehicle, each one containing fuses protecting a different group of circuits.

1. Left side engine compartment fuse box.
 - Remove the left side under hood cover. See **159, UNDER HOOD COVERS - REMOVAL**.
 - Press the clip to release the fuse box cover.
2. Right side engine compartment fuse box.
 - Open the side cover and press the 2 clips to release the fuse box cover.
3. Passenger compartment fuse box, located in the passenger side footwell.

- Pull back the floor mat/carpet to reveal the access panel.
- Pull up and remove the access panel to view the fuse box.

Note: Make sure the cover is correctly aligned to the vehicle before refitting.

4. Passenger compartment fuse box, located on the left side A pillar, below the facia.
 - Unclip the access panel to view the fuse box.
5. Luggage compartment fuse box. The fuse box is accessed by:
 - (Coupe vehicles only). Folding back the Luggage compartment floor panel and removing the floor panel support block.
 - Removing the left side Luggage compartment (battery) cover.
 - Removing the luggage floor well trim.