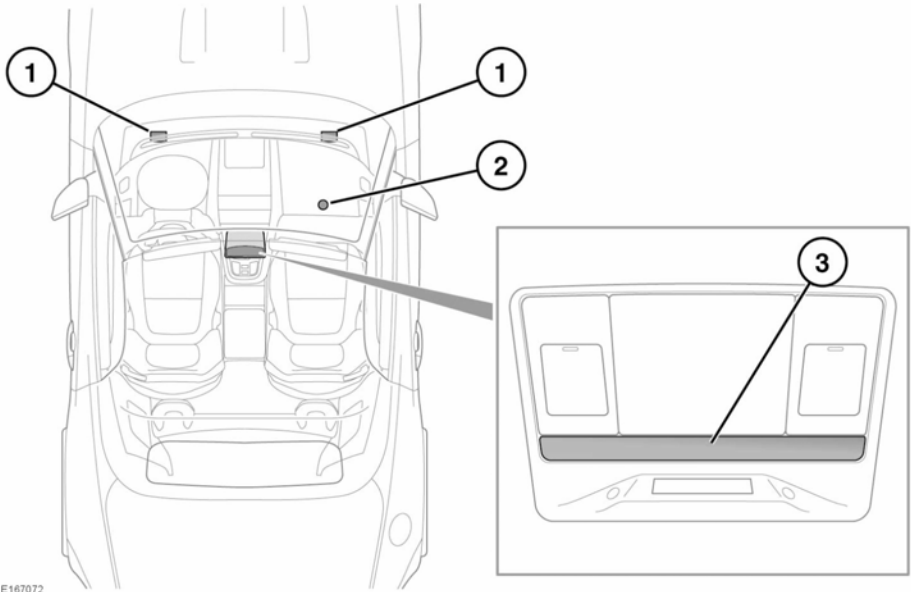


INTERIOR LIGHTS



E167072

1. Footwell illumination.
2. Glove box lamp.
3. Reading lamps and Interior courtesy lamp:

Touch the lens briefly to switch on/off. The Interior courtesy lamp illuminates when the doors are unlocked and extinguishes 60 seconds after both of the doors are closed or when the vehicle is locked.

To switch off/on the automatic illumination of all the interior lamps (enable/disable Stealth mode), continue to touch the lens until the lamp flashes. **INTERIOR LIGHTS OFF** or **INTERIOR LIGHTS AUTO** will be displayed in the Message center accordingly.

Note: *Stealth mode can also be enabled/disabled via the Touch screen menus, Home menu and Extra features. See 69, EXTRA FEATURES.*

AMBIENT LIGHTING

For vehicles with configurable LED ambient lighting, adjustment for color and intensity can be made via the Touch screen. The exterior lamps must be turned on while changes are being made via the Touch screen. See **69, EXTRA FEATURES.**

Note: *Activating Dynamic mode automatically switches the LED ambient lighting to red.*

BUTTON AND SWITCH ILLUMINATION

Button and switch illumination intensity can be adjusted, while the exterior lamps are turned on. See **242, DRIVER CONTROLS**, Instrument illumination control.