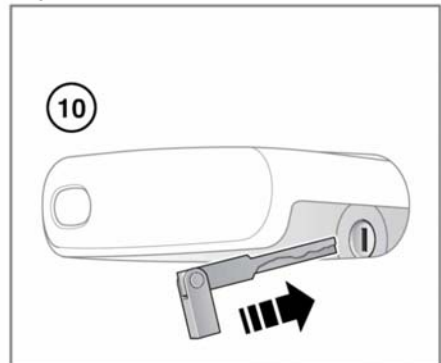
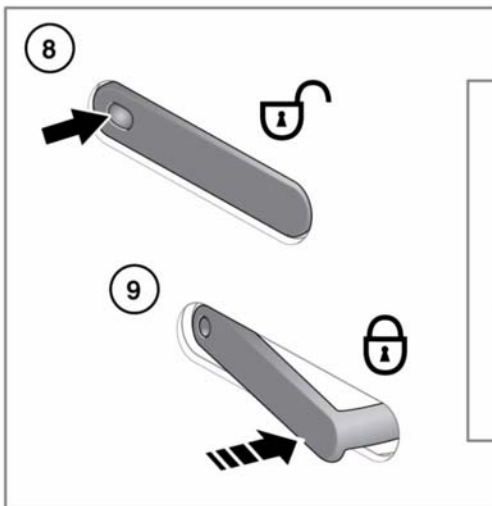
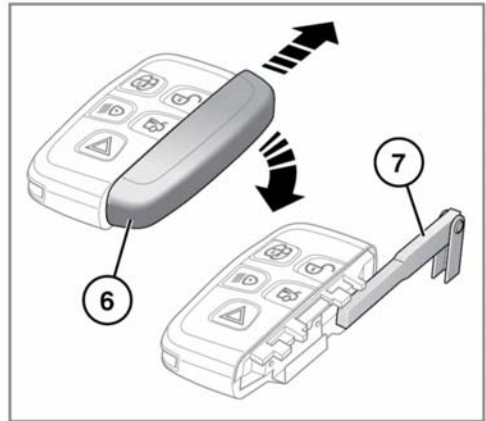
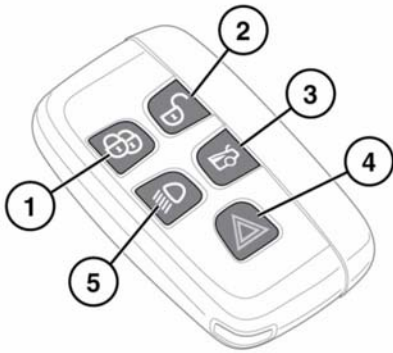


## UNLOCKING THE VEHICLE



E149031

# Entering the vehicle

## WARNING

Any person fitted with an implanted medical device should make sure that the device is kept at a distance of at least 9 inches (23 cm) away from any transmitter mounted in the vehicle, see 223, SMART KEY TRANSMITTER LOCATIONS. This is to avoid any possibility of interference between the system and device. Interference may cause the implanted medical device to malfunction, causing serious injury or death.

## WARNING

To prevent accidental or unauthorized operation, never leave children or animals unattended in the vehicle. The vehicle can be operated when the Smart key is inside the vehicle.

1. Lock: Press to secure the vehicle. See 15, LOCKING AND ARMING THE ALARM.

*Note: The handles will automatically retract to the flush position on both doors.*

2. Unlock:

*Note: The handles will automatically deploy on all unlocked doors.*

The vehicle can be unlocked using either Single or Multi-point entry.

When Single-point entry is enabled, the first press unlocks the driver's door and enables the other door to be opened from the inside. The hazard warning lamps will flash twice to indicate that the vehicle is unlocked and the alarm has been disarmed. A second press unlocks the passenger door and the Luggage compartment.

If Multi-point entry is enabled, press briefly to unlock both of the doors and the Luggage compartment, and to disarm the alarm. The hazard warning lamps will flash twice to indicate that the vehicle is unlocked and the alarm has been disarmed.

To change from Single to Multi-point entry (or vice versa), press both the lock and unlock buttons simultaneously for 3 seconds. The hazard warning lamps will flash twice to confirm the change.

The change can also be achieved using the **Vehicle Settings** menu. See 42, INSTRUMENT PANEL MENU.

3. Press to open the Luggage compartment. The vehicle's security system will remain active for the period that the Luggage compartment is open. Door and hood security will remain active. The security system will re-arm to its previous state when the Luggage compartment is closed.
4. Panic alarm: Press and hold for 3 seconds, or press 3 times within 3 seconds, to activate the horn, siren and hazard warning lamps. After 5 seconds, the alarm can be canceled by pressing and holding the panic alarm button for 3 seconds, or by pressing the button 3 times within 3 seconds. The panic alarm will also be canceled if the vehicle detects a valid Smart key when the START/STOP button is pressed.
5. Press to switch on the approach illumination for up to 120 seconds. The illumination time is set using the exit delay switch. Pressing the button again or operating the **START/STOP** button, will turn the approach lamps off.
6. Emergency key access: Slide up the side cover to release, then tilt away from the Smart key body to remove.
7. Remove the emergency key blade and unfold.
8. Passive unlock, See 9, PASSIVE ENTRY: Press to unlock and/or disarm the vehicle. The door handle will deploy.