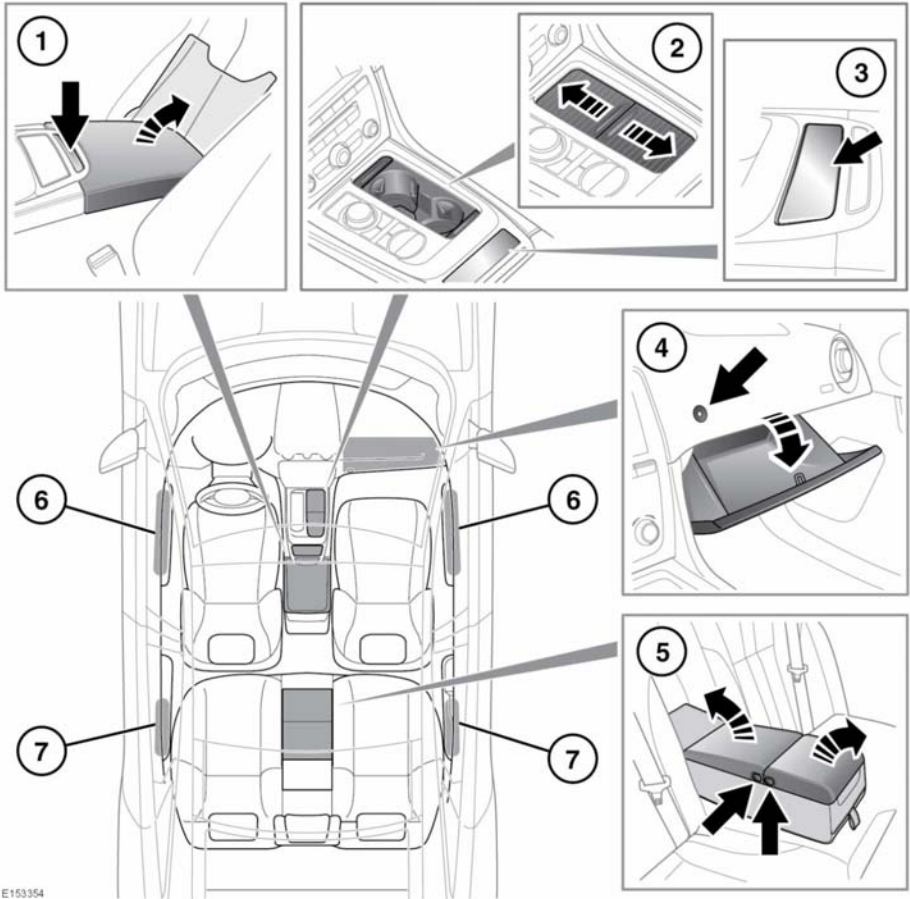


STORAGE COMPARTMENTS



1. Cubby box: To access, press the button.

2. Cup holders: To access, slide the covers apart.



Do not drink, or use the drinks holders when driving.

3. Storage area or ashtray (depending on vehicle specification): Press and release where indicated to open.

4. Glove box: Open using the glove box release (arrowed).

Note: When Valet mode is selected the glove box release is disabled.

5. Rear armrest cubby box: Press the side catches to access the cup holders or storage area.

6. Front door stowage.

E153354