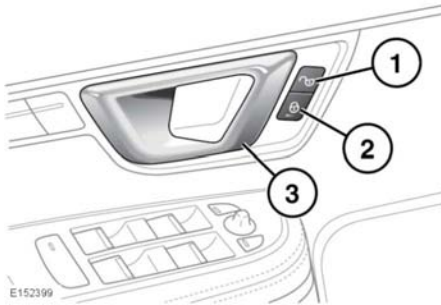


## DOOR LOCKS AND RELEASE LEVERS



While a door is open, the locking latch is exposed. Do not attempt to manually close the latch as it may also automatically 'soft close' and trap items or body parts.



### 1. Unlock:

- Press any unlock button to unlock all of the doors. Alternatively, pull either front door release handle (3) once to unlock all of the doors.
- Pull either rear door release handle once to unlock the individual rear door.

**Note:** The unlock button is inhibited when the vehicle is locked with the Smart key.

### 2. Lock: With all the doors closed, press any lock button to lock all of the doors.

### 3. Door release handle: Pull to unlock and open the door. If the door is locked, pulling either front door handle once will unlock all of the doors. Pulling either rear door handle once will unlock the individual rear door.

**Note:** When activated, the Rear child security switch (located on the driver's door switch pack) will inhibit the rear door lock and unlock buttons and the rear door release handles. See 27, CHILD SAFETY LOCKS.

## SINGLE LOCKING

Press the lock button briefly. Single locking secures the vehicle and prevents the doors and luggage compartment being opened from outside of the vehicle. The doors can be unlocked and opened from inside the vehicle. The hazard warning lamps will flash once as confirmation.

## DOUBLE LOCKING



**Never Double lock the vehicle with people, children or pets inside. In the event of an emergency they would be unable to escape, and the emergency services would be unable to release them quickly.**

**When the vehicle is Double locked the doors cannot be opened, either from inside or outside the vehicle.**

Press the lock button twice within 3 seconds. Double locking secures the vehicle and prevents the doors and luggage compartment from being unlocked or opened from inside or outside of the vehicle, except with the correct Smart key. The hazard warning lamps will flash twice (with a long second flash) and an audible warning will sound as confirmation.



The audible warning can be enabled/disabled by your Dealer/Authorised Repairer.

## LOCK CONFIRMATION

If you are uncertain whether the vehicle is locked and armed (either by Single or Double locking), press the lock button again. The hazard warning lights will flash to indicate and confirm the current lock status.

**Note:** If the vehicle is **not** already locked and armed, pressing the lock button will Single lock the vehicle. Press again to Double lock.