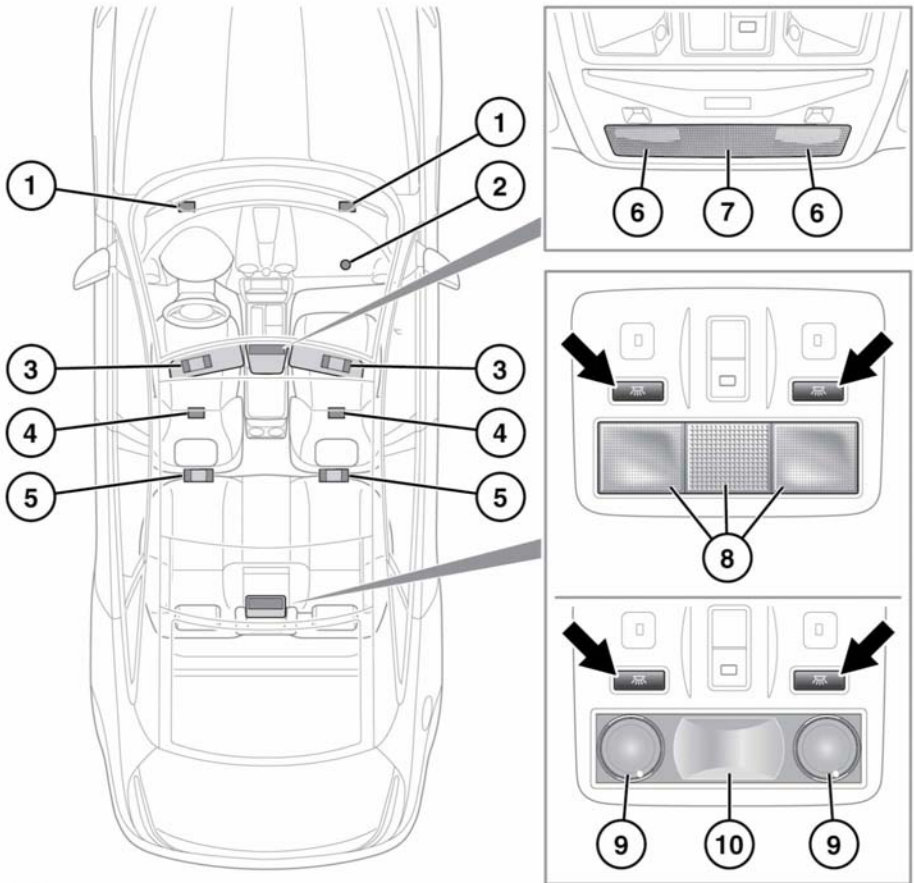


## INTERIOR LIGHTS



E153230

1. Front seat foot-well illumination.
2. Glove box lamp.
3. Vanity mirror lamps.
4. Rear seat foot-well illumination.
5. Rear vanity mirror lamps (long wheelbase vehicles only).
6. Front reading lamps: Touch the lens briefly to switch on/off or for approximately 2 seconds to switch automatic illumination of the rear interior lamps on/off.
7. Front interior courtesy lamp: Illuminates when the doors are unlocked and extinguishes 20 seconds after all of the doors are closed or when the vehicle is locked.

# Interior lights

The lamps are operated by proximity sensors. Move your finger close to (or touch) the appropriate lens to switch on/off. Touch the lens for 2 seconds to switch automatic illumination on/off (**INTERIOR LIGHTS OFF** or **INTERIOR LIGHTS AUTO** is displayed in the Message centre accordingly).

8. Rear interior and reading lamps: All 3 lamps switch on automatically when the rear doors are opened.  
Press the appropriate switch to activate the outer reading lamps manually.
9. Rear reading lamps: Press the appropriate switch to activate a reading lamp manually.
10. Rear interior courtesy lamp: Switches on automatically when the rear doors are opened.