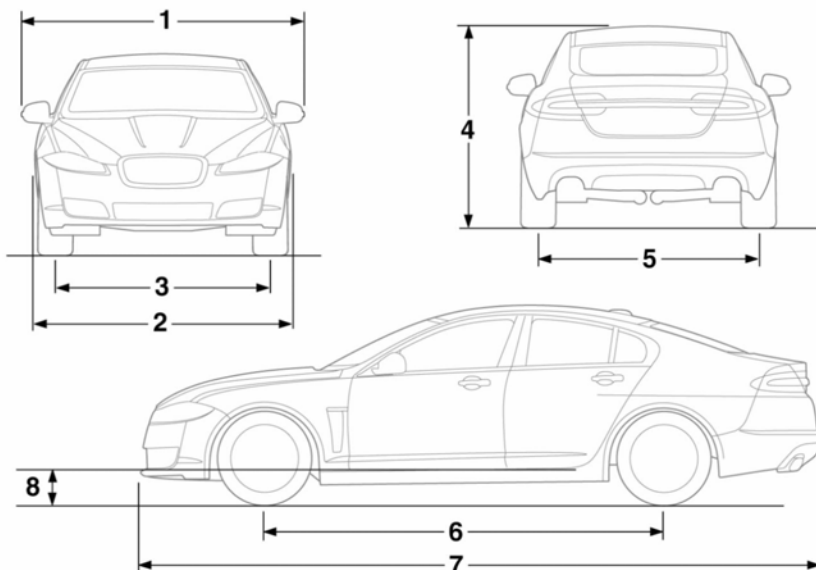


DIMENSIONS

Saloon

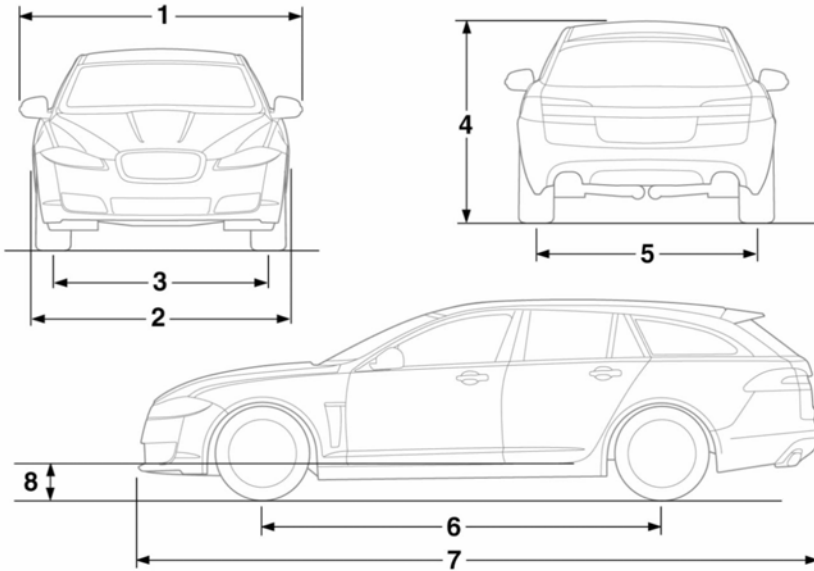


E161850

Item	Description	mm (inches)
1	Width	2077.0 (81.8)
2	Width with mirrors folded	1939.0 (76.3)
3	Track - front	1559.0 (61.4)
4	Height (with antenna)	1460.0 (57.5) (1468 (57.8))
5	Track - rear	1605.0 (63.2)
6	Wheelbase	2909.0 (114.5)
7	Length - XF, XFS, (XFR and XFR-S)	4966.0 (195.5), 4961.0 (195.3), (4981.0 (196.1))
8	*Maximum wading depth	150 (6)
-	Turning circle kerb to kerb (AWD)	11.5 m (37.73 ft), (11.84 m (38.85 ft))
*Maximum wading speed is 7 km/h (4 mph).		

Technical specifications

Sportbrake



E181851

Item	Description	mm (inches)
1	Width	2077.0 (81.8)
2	Width with mirrors folded	1939.0 (76.3)
3	Track - front	1559.0 (61.4)
4	Height (with antenna)	1480.0 (58.3) (1511.0 (59.5))
5	Track - rear	1605.0 (63.2)
6	Wheelbase	2909.0 (114.5)
7	Length - XF, XFS	4966.0 (195.5), 4961.0 (195.3)
8	*Maximum wading depth	150 (6)
-	Turning circle kerb to kerb	11.5 m (37.73 ft)

*Maximum wading speed is 7 km/h (4 mph).