

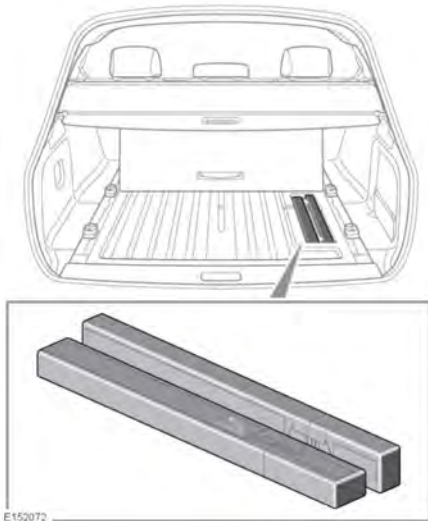
# Maintenance

1. Close the window fully.
2. Release the switch, then lift it to the close position and hold for 2 seconds.
3. Release the switch.
4. Repeat the lift and release procedure twice more.
5. Test the window for correct One-touch operation. See **62, ONE-TOUCH WINDOW OPERATION.**
6. Repeat the procedure on each window.

**Note:** *It is advisable to have the engine running while resetting the windows, to make sure that a minimum of 12 volts is available at all times.*

## WARNING TRIANGLE

If supplied, the Warning triangle is located in the Luggage compartment, attached to an anchor point.



For Sportbrake models, a Warning triangle is stored in a rear floor recess.

## FIRST AID KIT

If supplied, the First aid kit is strapped to the side of the Luggage compartment.