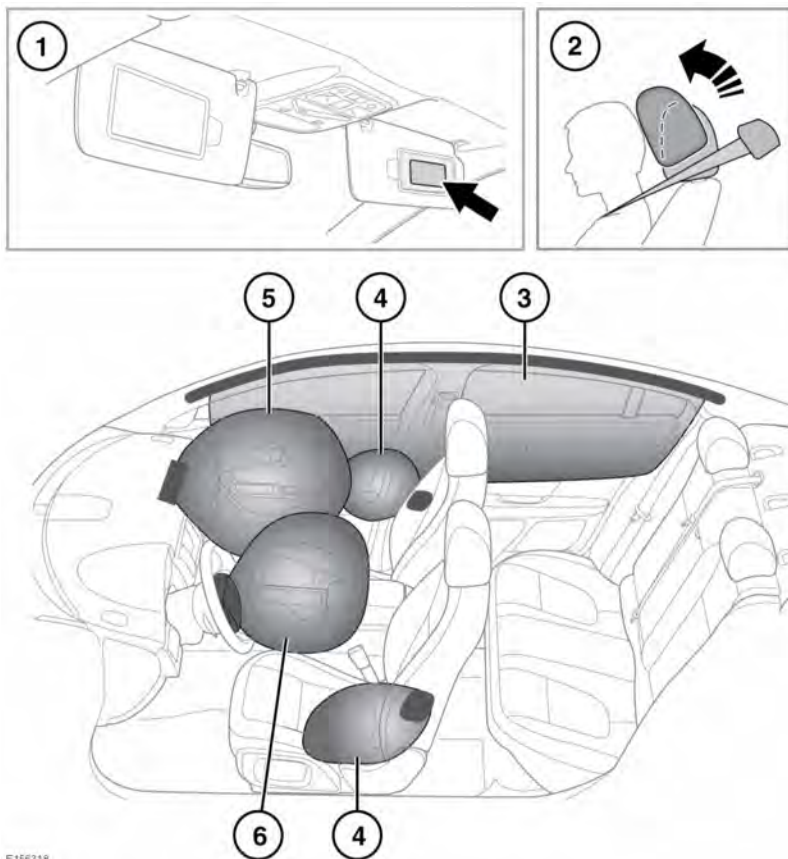


## AIRBAGS AND ACTIVE HEAD RESTRAINTS



E156318

1. Airbag warning information is printed on the passenger sun visor.
2. Both front seats are equipped with Active Head Restraints (AHR), which reduce the risk of neck and spinal injury (whiplash) in the event of a rear impact, by moving the head restraint upwards and forwards, supporting the occupant's head.

After activation, the whiplash protection mechanism resets automatically and does not need to be replaced.

3. The curtain airbags may deflate at a slower rate than the front or side airbags, to afford prolonged protection.
4. Seat-mounted side airbags.
5. Front passenger airbag.
6. Driver's airbag.