

Technical specifications

ENGINE SPECIFICATIONS

Data	3.0L	5.0L
Number of cylinders	6	8
Displacement (cc)	2995	5000
Firing order	1-4-2-5-3-6	1-5-4-2-6-3-7-8
Compression ratio	10.5:1	9.5:1

Performance data (China only)

Variant	Maximum Power	Maximum Torque	Maximum Design Power	Maximum Starting Gradient ¹	Maximum Vehicle Speed
3.0L (340 PS)	340 PS at 6500 rpm	450 Nm at 3500 - 5000 rpm	340 PS	60%	260 km/h
3.0L (380 PS)	380 PS at 6500 rpm	460 Nm at 3500 - 5000 rpm	380 PS	60%	275 km/h
5.0L (Convertible)	495 PS at 6500 rpm	625 Nm at 2500 - 5500 rpm	495 PS	60%	300 km/h
5.0L (Coupe)	550 PS at 6500 rpm	680 Nm at 2500 - 5500 rpm	550 PS	60%	300 km/h

¹ At maximum oil level - continuous usage

LUBRICANTS AND FLUIDS

Part	Variant	Specification
Engine oil	All vehicles	SAE 0W-20 engine oil meeting Jaguar Land Rover specification STJLR.51.5122.
Power steering fluid	All vehicles	Jaguar recommends Mobil ATF320 PAS fluid.
Brake fluid ¹	Vehicles without carbon ceramic brake discs	Use Jaguar brake fluid. If unavailable for topping up, a Low Viscosity, DOT4 brake fluid that meets the requirements of ISO 4925 class 6 may be used.
	Vehicles with carbon ceramic brake discs	Castrol React SRF Racing ²
Washer fluid	All vehicles	Screen wash with frost protection, diluted with clean water to the ratio specified on the screen wash bottle.
Engine coolant fluid	All vehicles	50% mixture of water and antifreeze, specification WSS M97B44 (coloured orange) Extended Life Coolant.
<p>¹ On vehicles with carbon ceramic brake discs, it is recommended that the brake fluid is replaced prior to using the vehicle on closed roads. It is also recommended that the brake fluid is replaced after driving the vehicle on closed roads.</p>		
<p>²If not available, use an equivalent high performance brake fluid.</p>		
<p>If in doubt about the required specification of a lubricant or fluid for your vehicle, seek advice from a Dealer/Authorised Repairer.</p>		

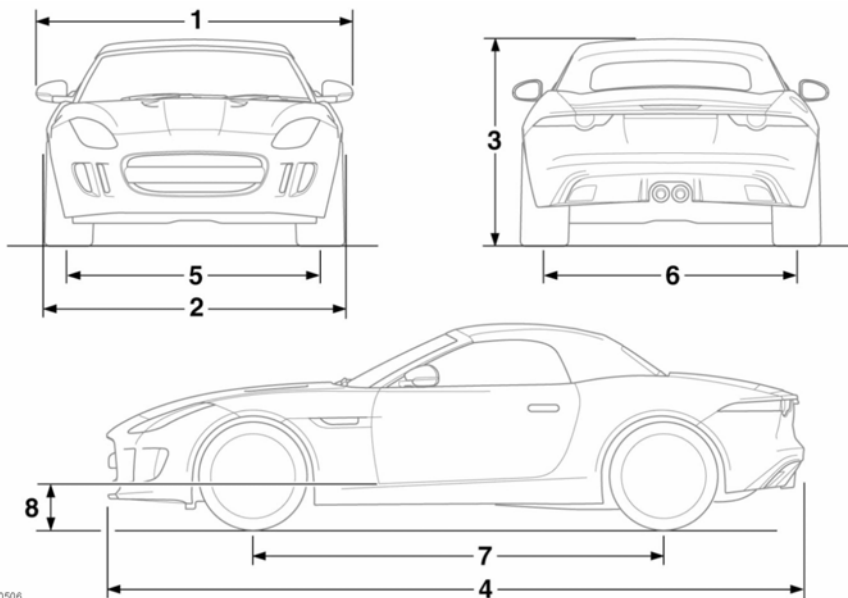
Technical specifications

WEIGHTS

Vehicle engine size (power output)	Vehicle weight from kg (lbs)	Gross Vehicle Weight (GVW) ¹ kg (lbs)	Maximum front axle load ² kg (lbs)	Maximum rear axle load ² kg (lbs)	Curb mass ³ kg (lbs)
Convertible					
3.0L (340 PS) - All except Argentina, China, Japan, and Middle East	1 597 (3 521)	2 000 (4 409)	1 050 (2 315)	1 100 (2 425)	
3.0L (340 PS) - Argentina, China, Japan, and Middle East	1 597 (3 521)	2 050 (4 519)	1 050 (2 315)	1 100 (2 425)	1 745 (3 847)
3.0L (380 PS)	1 614 (3 558)	2 050 (4 519)	1 050 (2 315)	1 100 (2 425)	1 750 (3 858)
5.0L (495 PS)	1 665 (3 671)	2 050 (4 519)	1 050 (2 315)	1 100 (2 425)	1 810 (3 990)
Coupe					
3.0L (340 PS) - All except Argentina and China	1 577 (3 477)	2 000 (4 409)	1 050 (2 315)	1 100 (2 425)	
3.0L (340 PS) - Argentina and China	1 577 (3 477)	2 050 (4 519)	1 050 (2 315)	1 100 (2 425)	1 740 (3 836)
3.0L (380 PS)	1 594 (3 514)	2 050 (4 519)	1 050 (2 315)	1 100 (2 425)	1 750 (3 858)
5.0L (550 PS)	1 650 (3 638)	2 050 (4 519)	1 050 (2 315)	1 100 (2 425)	1 810 (3 990)
Max. Luggage compartment load (all vehicles): 14 kg (31 lbs). The maximum permitted Luggage compartment load can be exceeded, provided the requirements regarding the maximum permissible axle weights and tyre pressures are followed.					
¹ The maximum permissible weight of the vehicle including the passenger and all loads.					
² The front and rear axle maximum loads cannot be reached simultaneously as this will exceed the GVW limit.					
³ China only: Full fluids and no driver or passengers.					

Note: This vehicle is **not** designed to be used as a towing vehicle, therefore a Gross Train Weight is not applicable.

DIMENSIONS



E160506

Item	Description	Variant	mm (inches)
1	Width	All vehicles	2 042 (80.4)
2	Width with mirrors folded	All vehicles	1 881 (74.1)
3	Overall height	All 3.0L vehicles	1 308 (51.5)
		5.0L Convertible	1 319 (51.9)
		5.0L Coupe	1 321 (52.0)
4	Overall length	All vehicles	4 470 (176)
5	Track (front)	18 inch wheels	1 597 (62.8)
		19 inch wheels	1 597 (62.8)
		20 inch wheels	1 586 (62.4)
6	Track (rear) - 18 inch wheels	18 inch wheels	1 649 (64.9)
		19 inch wheels	1 649 (64.9)
		20 inch wheels	1 628 (64.1)
7	Wheelbase	All vehicles	2 622 (103.2)

Technical specifications

Item	Description	Variant	mm (inches)
8	Maximum wading depth*	All vehicles	150 (6)
-	Turning circle (kerb to kerb)	All vehicles	10.7 metres (35.11 feet)

*Maximum wading speed is 7 km/h (4 mph).

CAPACITIES

Item	Variant	Capacity litres (pints)
Engine oil refill and filter change	All vehicles	7.25 (12.8)
Washer reservoir	All vehicles	5.5 (9.7)
Engine cooling system (service fill)	3.0L	9.6 (16.9)
	5.0L	9.2 (16.2)
Air conditioning refrigerant	All vehicles	700 g ± 25 g
Air conditioning compressor oil	All vehicles	80 cc

The quoted capacities are approximate and provided as a guide only. All levels must be checked using the level marks or information displayed in the Message centre, as applicable.

For fuel tank capacity, see **139, FUEL TANK CAPACITY**.

BULB SPECIFICATION

Lamp	Specification	Watts
*Reversing lamps	P21W	21
*Rear fog lamps	P21W	21

Note: *3.0L vehicles only.



All other lamps are non-serviceable. If any other lamp should fail, consult a Dealer/Authorised Repairer.

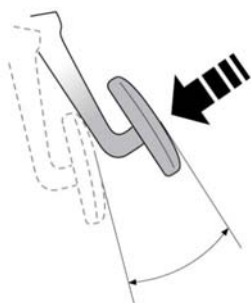
Technical specifications

WHEEL ALIGNMENT DATA

Front wheels	Right-hand drive	Left-hand drive
Toe	+0.25°	+0.25°
Camber - left side	-1.07°	-0.62°
Camber - right side	-0.67°	-1.12°
Castor - left side	+7.12°	+6.85°
Castor - right side	+6.57°	+6.85°

Rear wheels	All vehicles
Toe	+0.25°
Camber	-1.35°

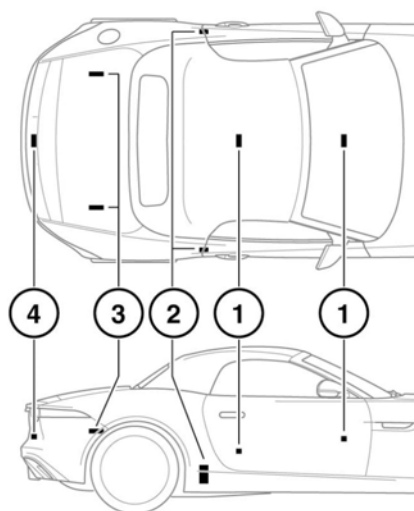
BRAKE PEDAL TRAVEL (China)



E157428

The brake pedal travel is set at the factory and is non-adjustable. The brake pedal free travel is up to 5mm.

SMART KEY TRANSMITTER LOCATIONS



E149270

1. Cabin transmitters.
2. Door handle transmitters.
3. Luggage compartment interior transmitters.

4. Luggage compartment exterior transmitter.



Any person fitted with an implanted medical device should make sure that the device is kept at a distance of at least 22 cm (8.7 inches) away from any transmitter mounted in the vehicle. This is to avoid any possibility of interference between the system and device.

Technical specifications

RADIO FREQUENCY SPECTRUM REGULATION STATEMENTS

Service	Frequency Band	Max. Output	Antenna Position	Specific Conditions
4m VHF	70 - 85 MHz	30 W/CW 40 W/AM	Anywhere on the metallic part of the roof.	Transmitter, harness, and antenna installation to the requirements of ISO/TS 21609.
2m VHF	142 - 175 MHz	30 W/CW 40 W/AM	Anywhere on the metallic part of the roof.	Transmitter, harness, and antenna installation to the requirements of ISO/TS 21609.
TETRA	380 - 422 MHz	10 W/CW 10 W/PM	Anywhere on the metallic part of the roof.	Transmitter, harness, and antenna installation to the requirements of ISO/TS 21609.
UHF	450 - 470 MHz	10 W/CW	Anywhere on the metallic part of the roof.	Transmitter, harness, and antenna installation to the requirements of ISO/TS 21609.
Bluetooth	2400 - 2483.5 MHz	10 mW	Anywhere on the vehicle.	Transmitter, harness, and antenna installation to the requirements of ISO/TS 21609.