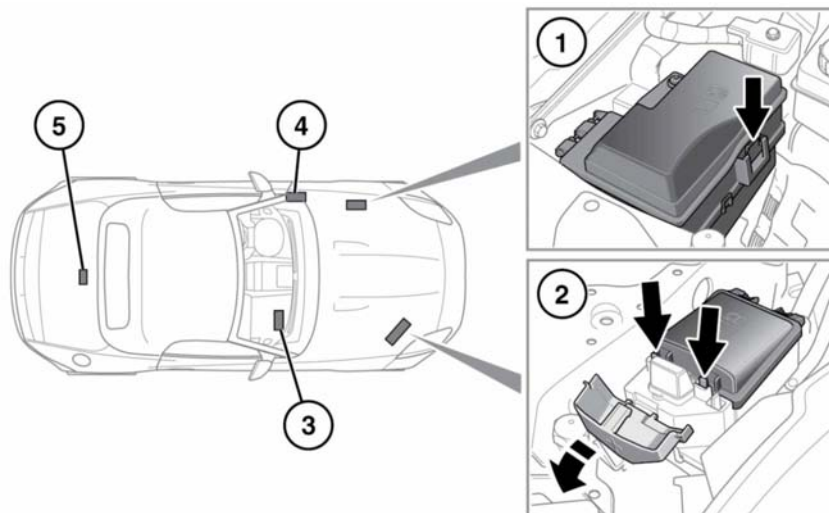


FUSE BOX LOCATIONS



E149218

- !** When a fuse box lid is removed, take care to protect the box from moisture, and refit the lid at the earliest opportunity.

There are 5 separate fuse boxes fitted to the vehicle, each one containing fuses protecting a different group of circuits.

1. Left side engine compartment fuse box.
 - Remove the left side under bonnet cover. See **145, UNDER BONNET COVERS - REMOVAL**.
 - Press the clip to release the fuse box cover.
2. Right side engine compartment fuse box.
 - Open the side cover and press the 2 clips to release the fuse box cover.
3. Passenger compartment fuse box, located in the passenger side foot-well.
 - Pull back the floor mat/carpet to reveal the access panel.

- Pull up and remove the access panel to view the fuse box.

Note: Make sure the cover is correctly aligned to the vehicle before refitting.

4. Passenger compartment fuse box, located on the left side A pillar, below the fascia.
 - Unclip the access panel to view the fuse box.
5. Luggage compartment fuse box. The fuse box is accessed by:
 - (Coupe vehicles only). Folding back the Luggage compartment floor panel and removing the floor panel support block.
 - Removing the left side Luggage compartment (battery) cover.
 - Removing the luggage floor well trim.

Note: Refit these parts in the reverse order of removal.

CHANGING A FUSE

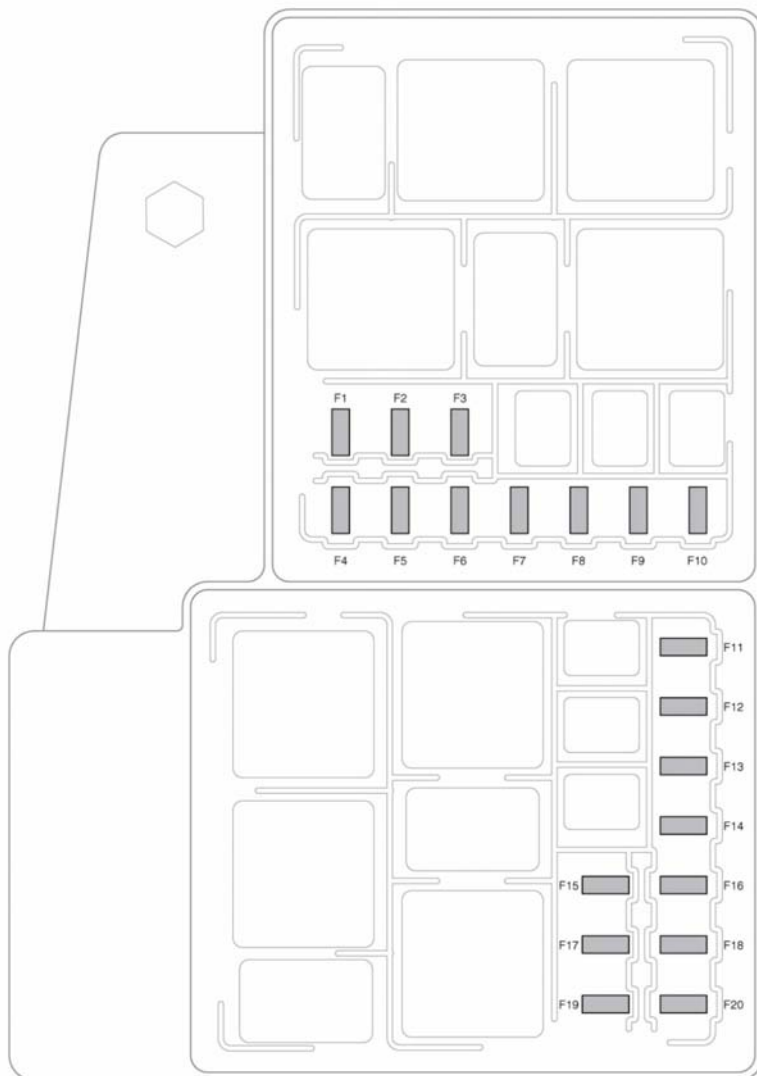
- ⚠ Always turn off the ignition system and the affected electrical circuit, before replacing a fuse.
- ⚠ Fit Jaguar approved replacement fuses of the same rating and type, or fuses of a matching specification.
- ⚠ If the replacement fuse blows after installation, the system should be checked by a Dealer/Authorised Repairer.

Note: *Jaguar recommend that owners do not remove or replace relays. It is recommended that you seek qualified assistance in the event of a relay failure.*

Spare fuses and the fuse removal tool are located in the passenger side footwell fuse box. See **168, PASSENGER COMPARTMENT FUSE BOX**.

ENGINE COMPARTMENT FUSE BOX

Left side fuse box

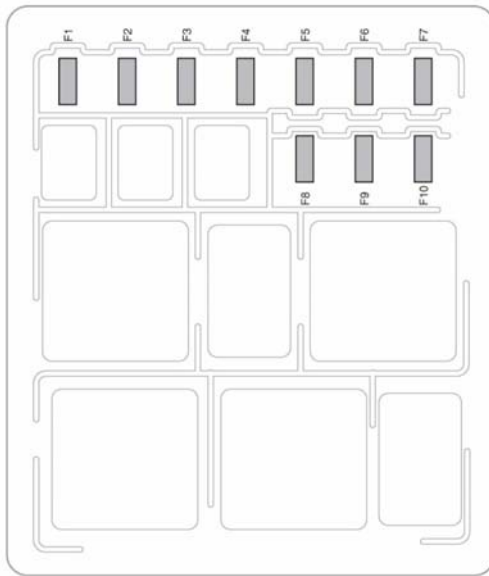


E159396

Fuses

Fuse No	Rating (amps)	Fuse Colour	Circuit
F1	15A	Blue	Air conditioning clutch
F2	20A	Yellow	Washer transfer pump
F3	-	-	-
F4	5A	Tan	Monitor
F5	25A	Clear	Engine management (ignition coils)
F6	5A	Tan	Engine management (MAF sensors)
F7	5A	Tan	Engine management (sensors)
F8	10A	Red	Engine management (actuators)
F9	10A	Red	Engine management (throttle motor)
F10	15A	Blue	Engine management (variable valve timing)
F11	20A	Yellow	Engine management (oxygen sensor-left side)
F12	20A	Yellow	Engine management (oxygen sensor-right side)
F13	20A	Yellow	Engine management (catalyst oxygen sensor)
F14	-	-	-
F15	5A	Tan	Active exhaust valve
F16	5A	Tan	Diagnostic socket
F17	-	-	-
F18	30A	Green	Anti-lock Brake System (ABS) valves
F19	15A	Blue	Electronic transmission switch, Transmission control module
F20	-	-	-

Right side fuse box

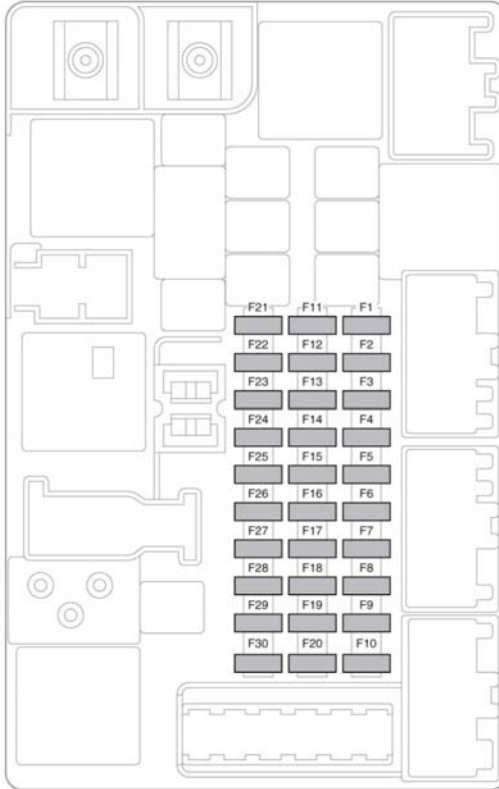


E159395

Fuse No	Rating (amps)	Fuse Colour	Circuit
F1	25A	Clear	Headlamp wash
F2	15A	Blue	Intercooler water pump
F3	15A	Blue	Horns
F4	-	-	-
F5	-	-	-
F6	-	-	-
F7	-	-	-
F8	-	-	-
F9	-	-	-
F10	-	-	-

PASSENGER COMPARTMENT FUSE BOX

Left side A pillar fuse box

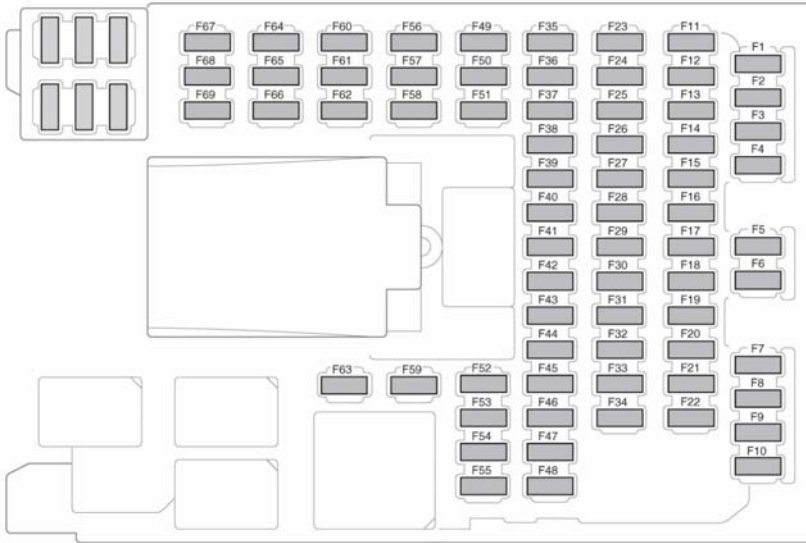


E159451

Fuse No	Rating (amps)	Fuse Colour	Circuit
F1	30A	Green	Electric Parking Brake (EPB) (left side)
F2	5A	Tan	Singapore road pricing
F3	-	-	-
F4	20A	Yellow	Keyless vehicle module (latch power)
F5	10A	Red	Instrument panel control, Instrument panel fan

Fuse No	Rating (amps)	Fuse Colour	Circuit
F6	15A	Blue	Convertible roof (front latch)
F7	-	-	-
F8	5A	Tan	Keyless vehicle module (logic)
F9	15A	Blue	Convertible roof (down lock)
F10	20A	Yellow	Dual battery module
F11	25A	Clear	Heated front seat
F12	5A	Tan	Seat switch power
F13	10A	Red	Chassis control module (spoiler), JaguarDrive control switch
F14	10A	Red	Adaptive damping control, Chassis control module
F15	25A	Clear	Tailgate
F16	30A	Green	Electric Parking Brake (EPB) (right side)
F17	-	-	-
F18	-	-	-
F19	30A	Green	Fuel
F20	-	-	-
F21	10A	Red	Rear camera, Headlamps, Blind Spot Monitoring (BSM), Park Distance Control (PDC), Interior mirror
F22	5A	Tan	Right side headlamp motor
F23	5A	Tan	Left side headlamp motor
F24	5A	Tan	Headlamp levelling
F25	-	-	-
F26	-	-	-
F27	-	-	-
F28	-	-	-
F29	-	-	-
F30	5A	Tan	Normal mode (or Transport mode)

Passenger side foot-well fuse box



E159424

Fuse No	Rating (amps)	Fuse Colour	Circuit
F1	5A	Tan	Radio Frequency (RF) receiver, Interior motion sensor, Tyre Pressure Monitoring System (TPMS)
F2	-	-	-
F3	-	-	-
F4	5A	Tan	CAN gateway module
F5	5A	Tan	Anti-lock Brake System (ABS), Steering angle sensor
F6	-	-	-
F7	-	-	-
F8	30A	Green	Right side seat (power 2)
F9	5A	Tan	Electric Parking Brake (EPB)
F10	5A	Tan	Adaptive damping control
F11	-	-	-

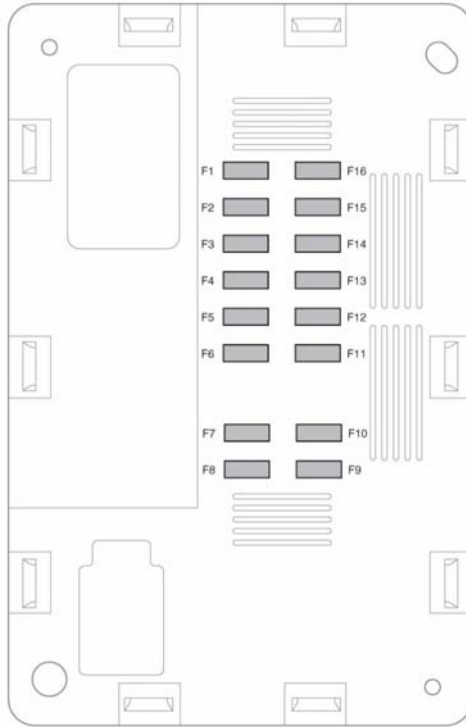
Fuse No	Rating (amps)	Fuse Colour	Circuit
F12	5A	Tan	Reverse lamps and Mirror dimming inhibit
F13	-	-	-
F14	5A	Tan	Brake pedal switch
F15	30A	Green	Heated rear screen
F16	-	-	-
F17	-	-	-
F18	-	-	-
F19	5A	Tan	Powertrain control module, Electronic control module
F20	10A	Red	Heated steering wheel
F21	10A	Red	Passenger airbag disable lamp (overhead console)
F22	5A	Tan	Transmission control module, Rear differential, Electronic transmission switch (ignition signal)
F23	5A	Tan	Fuse box suppression
F24	5A	Tan	Right side rear fog lamp
F25	5A	Tan	Left side rear fog lamp
F26	-	-	-
F27	-	-	-
F28	25A	Clear	Door module (right side)
F29	-	-	-
F30	-	-	-
F31	5A	Tan	Rain sensor, Climate control sensors
F32	25A	Clear	Door module (left side)
F33	-	-	-
F34	10A	Red	Fuel flap lock, Cubby box lock, Stowage box lock
F35	-	-	-
F36	5A	Tan	Battery back-up sounder
F37	-	-	-
F38	15A	Blue	Front screen washer
F39	-	-	-

Fuses

Fuse No	Rating (amps)	Fuse Colour	Circuit
F40	-	-	-
F41	-	-	-
F42	30A	Green	Left side seat (power 1)
F43	10A	Red	Active exhaust
F44	-	-	-
F45	30A	Green	Right side seat (power 1)
F46	30A	Green	Left side seat (power 2)
F47	-	-	-
F48	-	-	-
F49	-	-	-
F50	-	-	-
F51	5A	Tan	Steering wheel switches
F52	20A	Yellow	Accessory socket (centre)
F53	20A	Yellow	Accessory socket/cigar lighter (cubby box)
F54	-	-	-
F55	-	-	-
F56	10A	Red	Restraint control module
F57	10A	Red	Glove box lamp, Reading lamps
F58	-	-	-
F59	10A	Red	Door soft close (close and reverse)
F60	5A	Tan	Occupant control sensor
F61	5A	Tan	Immobiliser antenna unit
F62	-	-	-
F63	-	-	-
F64	-	-	-
F65	-	-	-
F66	-	-	-
F67	-	-	-

Fuse No	Rating (amps)	Fuse Colour	Circuit
F68	-	-	-
F69	-	-	-

LUGGAGE COMPARTMENT FUSE BOX



E159422

Fuse No	Rating (amps)	Fuse Colour	Circuit
F1	15A	Blue	Touch screen, Front integrated control panel
F2	10A	Red	Audio amplifier
F3	-	-	-
F4	10A	Red	Digital radio, Navigation system, Television tuner
F5	15A	Blue	Audio head unit
F6	15A	Blue	Audio video input/output panel
F7	-	-	-
F8	-	-	-

Fuse No	Rating (amps)	Fuse Colour	Circuit
F9	-	-	-
F10	-	-	-
F11	-	-	-
F12	-	-	-
F13	-	-	-
F14	-	-	-
F15	15A	Blue	Front integrated control panel (heating and ventilation)
F16	-	-	-