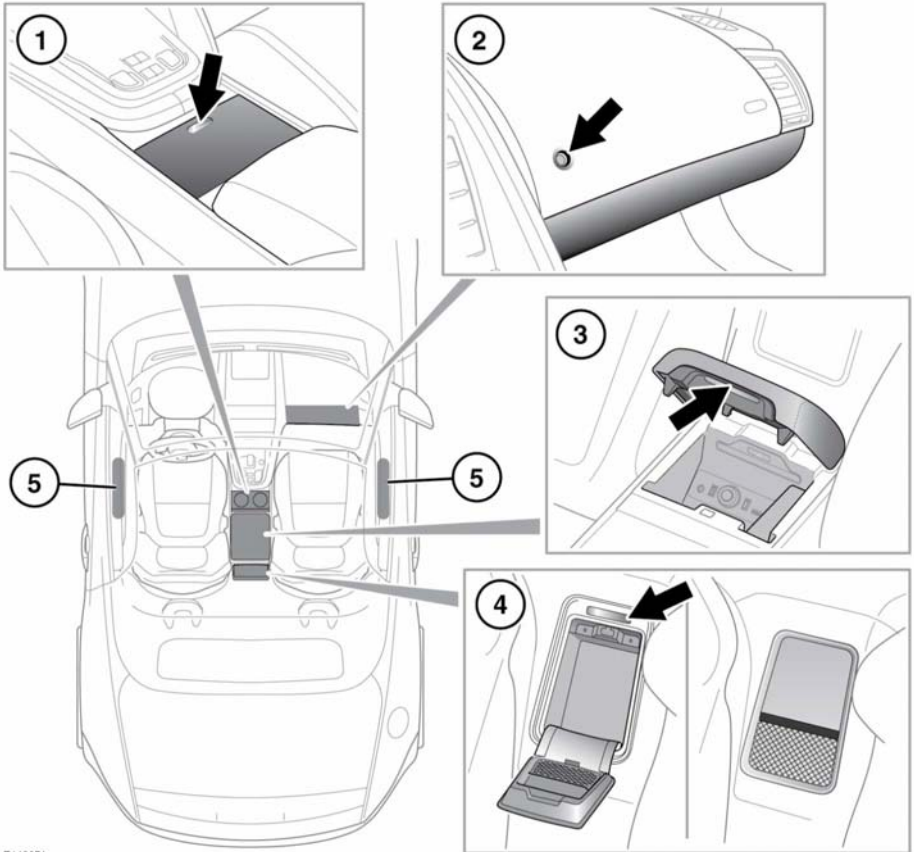


## STORAGE COMPARTMENTS



E149974

1. Cup holders: Press the button on the lid and release to access the cup holders.

**⚠ Do not drink, or use the drinks holders, when driving.**

2. Glove box: Open using the glove box release (arrowed).
3. Cubby box: To raise the lid, press the button under the front lip.

4. Rear storage compartment: To open the lid, press the button above the storage compartment, or store items behind the storage net.

5. Door storage.

**Note:** The cubby box and rear storage compartment lids may have locks which operate when the vehicle is locked/unlocked.

**⚠** Only use approved accessories.

# Storage compartments

## Auxiliary power sockets

There are 2 auxiliary power sockets, one is located on the centre console (see **234, DRIVER CONTROLS**) and the other is in the cubby box.