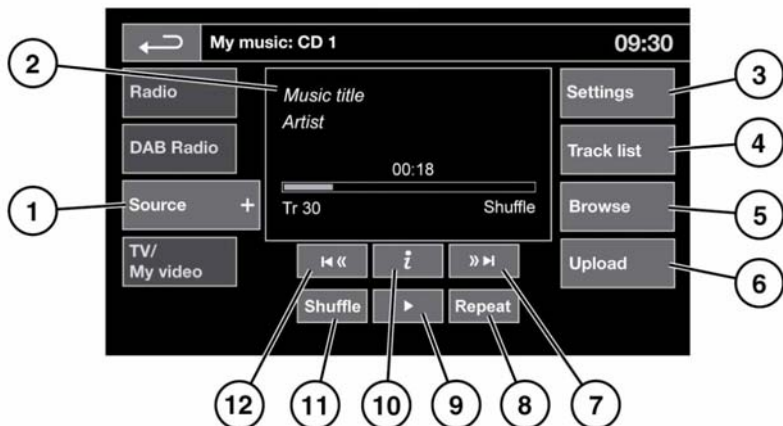


PORTABLE MEDIA CONTROLS



E151160

See **97, AUDIO/VIDEO CONTROLS**.

Portable media includes **CD, iPod, USB, AUX** and **Bluetooth®** devices. The full infotainment system also includes Stored CD.

1. Touch **My music** to display the **Source** soft key. Touch to display all of the portable media options. Select an option.

Note: *Sound quality and volume levels available from devices connected to the auxiliary input may vary widely.*

2. Display of information about the current track, including elapsed run-time. Some of this information is also displayed in the Instrument panel.

Note: *Only connected devices that support ID3 shall have the information displayed.*

3. **Settings:** Select to switch traffic and news announcements on or off. Additionally, for MP3 recorded media, you can select the number of list entries that are skipped when you use the page up/down arrows, when navigating a list.

4. **Track list:** Select to view the current CD or Stored CD track list. Select a track to start playback.

5. **Browse:** (**iPod, USB** and **Stored CD** modes only).

- Select to view the contents of the connected device which are displayed as dictated by the file structure.
- Select a file to start playback (Browse view will remain). Select a folder or sub-folder to view their contents.
- To return to the controls menu, touch the Back soft key.

6. **Upload:** Applicable to the Stored CD menu only.

Select to view and manage the CDs loaded onto the CD store.

- Select **Upload** alongside an empty slot to upload the current CD.
- If the CD store is full, select **Replace** to overwrite an existing CD.

In each case, a confirmation pop-up will appear. Select **Yes** to continue.

Portable media

Note: Loading time is dependent on content type. A % count up is displayed. Other features can be selected while upload is in progress.

7. Skip/Scan forwards:

- Touch and release to skip to the next track.
- Touch and hold to scan forwards through the current track. Play will resume when the soft key is released.

8. Repeat:

In **CD** mode:

- Touch and release to repeat the current track continuously until Repeat mode is cancelled. **Repeat track** is displayed.
- Touch and release again to repeat the current Stored CD (or folder for MP3 discs) continuously until Repeat mode is cancelled. **Repeat disc** or **Repeat folder** is displayed.
- Touch and release a third time to cancel Repeat mode.

Note: Selecting **Shuffle** will cancel Repeat mode, but **Repeat track** can be selected with Shuffle mode active (cancels the previously selected Shuffle mode).

In **USB** or **iPod** mode:

- Select to repeat the current track.
- Select again to repeat the current folder (USB) or to cancel Repeat mode (iPod). Select again to cancel Repeat mode in USB.

Note: Repeat mode is not available for **Bluetooth®** devices.

Note: Selecting **Shuffle** will cancel Repeat mode.

9. Pause/Play: Select to pause playback. Select again to resume playback.

10. Information: More information about the current track.

11. Shuffle:

- Touch and release once to play random tracks from the current CD, MP3 folder, USB folder, or iPod playlist. A **Shuffle** message is displayed.
- Touch and release again to play random tracks from CD, MP3 disc, USB folders or tracks on the media device, or tracks loaded onto the CD store. **Shuffle all** is displayed.
- Touch and release again to cancel Shuffle mode.

Note: Shuffle mode is not available for **Bluetooth®** devices.

12. Skip/Scan backwards:

- Touch and release within 3 seconds of track playback to skip to the previous track.
- Touch and release after 3 seconds of track playback to skip to the beginning of the current track.
- Touch and hold to scan backwards through the current track. Playback will resume when the soft key is released.

PORTABLE MEDIA CONNECTIONS

Portable media devices can be connected to the front media hub, located in the cubby box.

Compatible portable devices include:

- USB mass storage devices (e.g., a memory stick). Devices must use FAT or FAT32 file format.
- iPod (iPod Classic, iPod Touch, iPhone, and iPod Nano are supported - full functionality for older devices cannot be guaranteed). iPod Shuffle functionality cannot be guaranteed.

- Auxiliary device (personal audio, MP3 players, all iPods).

Note: Auxiliary devices have no Touch screen control.

If you are connecting an iPod, mass storage, or **Bluetooth®** device, use the Touch screen to operate and search the device. Many of the controls are similar to those available for CD play.



Please disconnect your iPod when leaving the vehicle. Failure to do so may result in the iPod battery discharging.

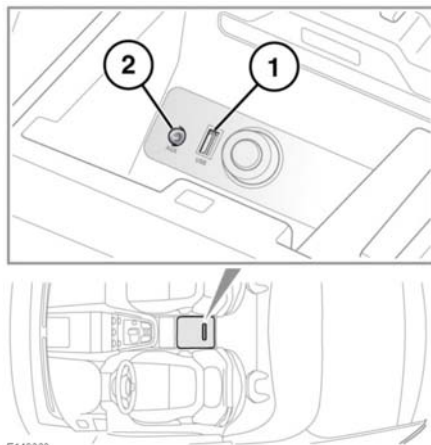
Note: The Audio system will play MP3, WMA, and AAC files.

To maximise playback quality, it is recommended that lossless compression is used for any media files on USB or iPod. Failing this, it is recommended that compressed files utilise a minimum bitrate of 192 kb/s (a higher bitrate is strongly recommended).

Note: iPod is a trademark of Apple Computer Inc., registered in the US and other countries.

Note: Some MP3 players have their own file system that is not supported by this system. To use your MP3 player, you must set it to **USB Removable Device** or **Mass Storage Device** mode. Only music that has been added to the device in this mode can be played.

CONNECTING A DEVICE



1. USB socket.
2. 3.5 mm AUX socket.

Connect the device into the appropriate socket.

Note: Use the cable supplied with your media device to connect to the USB socket.

When an iPod is connected, playback will continue from the point at which it was last playing, provided the iPod battery is in a good state of charge.

When a USB device is connected, playback will start from the first track in the first available folder. If a device is connected when **My music** is selected, playback will continue from the point at which it was last playing.



Do not plug non-audio devices into the USB port.

Note: A USB hub cannot be used to connect more than one USB device to the audio unit.

Note: Devices connected to the USB ports will be charged, but devices that are fully discharged will not play.

Portable media

Note: Options, such as **Repeat** and **Mix**, relate to the device currently playing; they will not apply to any subsequent device.

The 3.5mm AUX socket allows additional equipment (e.g., personal stereo MP3 player, hand-held navigation unit, etc.) to be connected to the Audio system.


Note: iPod shuffle may be connected via the AUX socket.

PLAYING A PORTABLE DEVICE


If you are using a USB mass storage device or approved iPod, you can control playback using the Touch screen controls.

If you are using a **Bluetooth®** device, you can control playback using the Touch screen, but some controls are unavailable.

If you are using any portable media device via the AUX socket, then you must control playback from the device itself.

 Jaguar does not recommend the use of a Hard Disc Drive via the USB link while the vehicle is in motion. These devices are not designed for in-car use and may be damaged.

CONNECTING MULTIPLE DEVICES

 Do not plug non-audio devices into the USB port.

You can connect multiple devices simultaneously to the portable media interface and switch between them using the Touch screen. Select **iPod**, **USB**, **Bluetooth**, or **AUX**, to switch between modes.

The device docked first will remain the active device until you choose to change.

If, after changing to the newly-docked device, you change back to the first device, play will resume at the point you left it (USB and iPod only).

Note: You cannot use a USB hub to connect more than one USB device to the audio unit.

Note: Devices connected to the iPod and USB ports will be charged, but devices that are fully discharged will not play.

Note: Options, such as **Repeat** and **Shuffle**, relate to the device currently playing; they will not apply to any subsequent device.

Instructional video - AUX device.



E151488

Instructional video - Bluetooth device.



E151790

Instructional video - iPod device.



E151791

Instructional video - USB device.



E151792

PAIRING AND CONNECTING USING THE MEDIA PLAYER

For further information on Bluetooth®, see **118**, **BLUETOOTH® INFORMATION**.

Note: The process of pairing and connecting your media device with the vehicle, using the media device, will vary depending on the type of media device.

1. Switch on the ignition and make sure the Touch screen is active.
2. From the **Home menu**, select **Audio/Video**, then **My music**, followed by **Bluetooth®**.
3. A menu will appear. Select **Change Device**.
4. Select the **Device to vehicle** option.

Note: The vehicle's Bluetooth® system is only discoverable for 3 minutes.

5. Using the media device, search for **Bluetooth®** devices. On some media devices, this is referred to as a new paired device. See your media device's operating instructions for further information.
6. When the vehicle's Bluetooth® system is discovered, follow the on-screen instructions. Select **Yes** when prompted, to confirm the pairing.
Either your device or the vehicle's system will ask for a PIN (Personal Identification Number). When prompted, enter a PIN of your choice and select **OK** to confirm.
7. Enter the same PIN into the other device.
8. Once your device is paired and connected to the system, a confirmation message will be displayed, before switching to the **My music**, Bluetooth® screen.

Note: Some media devices do not automatically connect and need to be manually connected via the device, or by using the **Change device** option.

PAIRING AND CONNECTING USING THE TOUCH SCREEN

For further information on Bluetooth®, see **118, BLUETOOTH® INFORMATION**.

1. Switch on your device's **Bluetooth®** connection. Make sure that it is in **Bluetooth®** discoverable mode, sometimes referred to as find me mode (see your device's operating instructions for more information).
2. Switch on the ignition and make sure the Touch screen is active.
3. From the **Home menu**, select **Audio/Video**, then **My Music**, followed by **Bluetooth®**.
4. A menu will appear. Select **Change Device**.
5. Select the **Vehicle to device** option.
6. Identify your device from the displayed list and select the corresponding **Pair and connect** option.
Note: If more than 5 devices are detected, it may be necessary to use the scroll bar to see the entire list.
7. When prompted, enter the PIN (Personal Identification Number) code into your device. See your device's operating instructions for more information.
8. Once your device is paired and connected to the system, a confirmation message will be displayed before switching to the **My music**, Bluetooth® view.

Note: Due to the duration of a Bluetooth® search, it is advised that the time out to home screen feature is switched off before attempting to search for **Bluetooth®** devices. This setting can be changed within **Set up, Screen, Time out home**.

CHANGING/DISCONNECTING A DEVICE

1. From the playback control menu, select **Settings**.
2. From the **Settings** menu, select **Register**.

3. Select **Disconnect**. A confirmation pop-up will appear and then you will be given the option to **Search new** or select a different device from the list of paired devices.