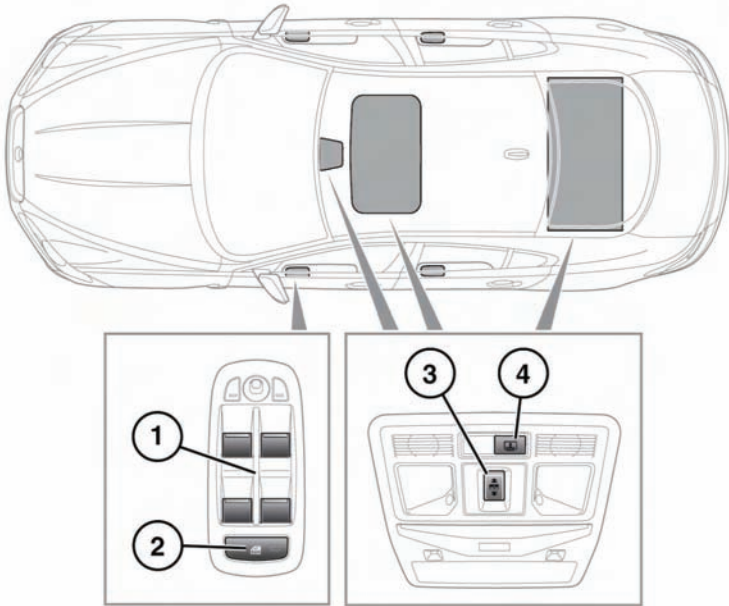


## ELECTRIC WINDOWS



143947

### 1. Window switches:

The windows will operate for 5 minutes after the engine is switched off, as long as none of the doors are opened.



Any ice must be removed from the windows prior to operation.

### 2. Rear window isolator.



**If children are carried in the rear seats, the isolator switch should be used to prevent operation of the windows.**

### 3. Sunroof:

- With the roof closed, briefly press the front of the switch to tilt the roof. The blind will also open fully.
- With the roof closed, briefly press the rear of the switch to open the roof. The blind will also open fully.

- With the roof open, briefly press the front of the switch to close fully.
- With the roof tilted, briefly press the rear of the switch to close.

Roof movement can be halted at any time by pressing the button again.

If the sunroof encounters resistance when closing, it will stop and then open fully. This is to prevent serious injury or damage to the mechanism.

The sunroof blind can be opened manually whenever required, but can be closed only when the sunroof is closed.

### 4. Rear screen sun blind.

**Note:** *If a resonance or a booming sound occurs when a rear window is open, lowering an adjacent front window by approximately 25mm (1 inch) will eliminate the condition.*