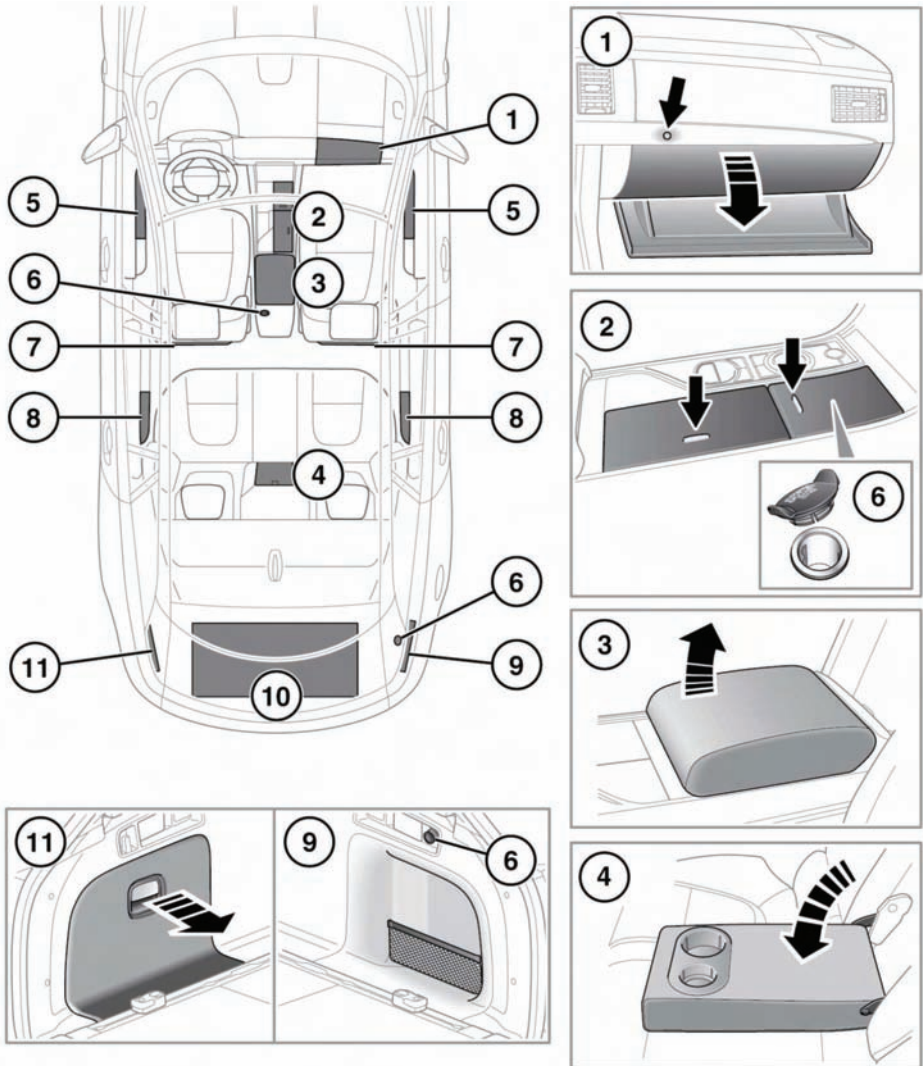


STORAGE COMPARTMENTS



E152071

1. Glove box: Open using the glove box release (arrowed).

Note: When Valet mode is selected the glove box release is disabled.

2. Cup holder. Press button to open.



Do not drink, or use the cup holders when driving.

Storage compartments

To remove the cup holder insert for cleaning, lift the front edge rearwards and then upwards, to disengage the retaining clips.

When refitting the insert, push it fully into the compartment and run your thumb down the inside surface at the front and rear, to re-engage the clips. If the lid of the cup holder does not close correctly, the insert has not been properly refitted.

3. Cubby box.
4. Rear cup holders.
5. Front door stowage.
6. Auxiliary power sockets.
 -  Only use approved accessories and always run the engine when using accessories for a prolonged period.
7. Map pockets.
8. Rear door stowage.
9. Side pocket with netting (Sportbrake only).
10. Loadspace under floor storage (Sportbrake only).
11. Side storage compartment (Sportbrake only).