

2. Twist the bulb holder 90 degrees counter-clockwise to access the bulb.
3. Pull to remove the bulb from the holder.

SUNROOF RESET

If the battery is disconnected, or the power supply is interrupted, while the sunroof is partially open it will need to be reset.

Once the power supply is restored, reset the sunroof as follows:

1. Switch the ignition on.
2. Press the front of the sunroof switch, so that the sunroof is in the tilt position, then release the switch.
3. Press the front of the sunroof switch and hold for 30 seconds.
4. After 30 seconds the sunroof will begin to move. Keep the front of the switch pressed until the sunroof has fully opened, then closed.
5. Once the open/close cycle has completed and the sunroof has stopped moving, release the switch.

The sunroof can now be operated as normal.

WINDOW RESET

The windows will need to be reset if the battery is disconnected, becomes discharged or power supply is interrupted.

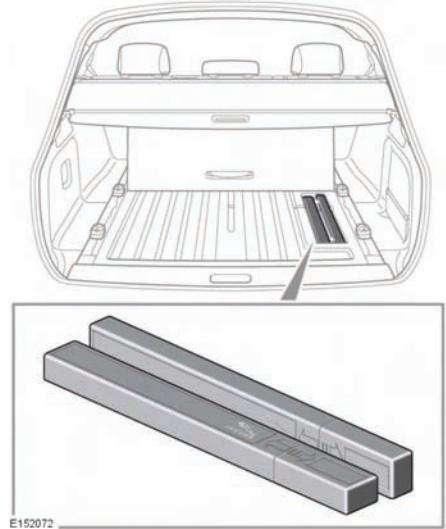
Once the power supply is restored, reset the windows as follows:

1. Close the window fully.
2. Release the switch, then lift it to the close position and hold for 2 seconds.
3. Open the window fully.
4. Release the switch, then push it to the open position and hold for 2 seconds.
5. Lift and release the switch to operate the one-touch function.

6. Repeat the procedure on each window.

WARNING TRIANGLE

The warning triangle is located in the luggage compartment, attached to an anchor point.



For Sportbrake models, a warning triangle is stored in a rear floor recess.

FIRST AID KIT

If supplied, the first aid kit is strapped to the side of the luggage compartment.

FIRE EXTINGUISHER

If supplied, the fire extinguisher will be located either in the luggage compartment, or mounted to the front passenger seat.