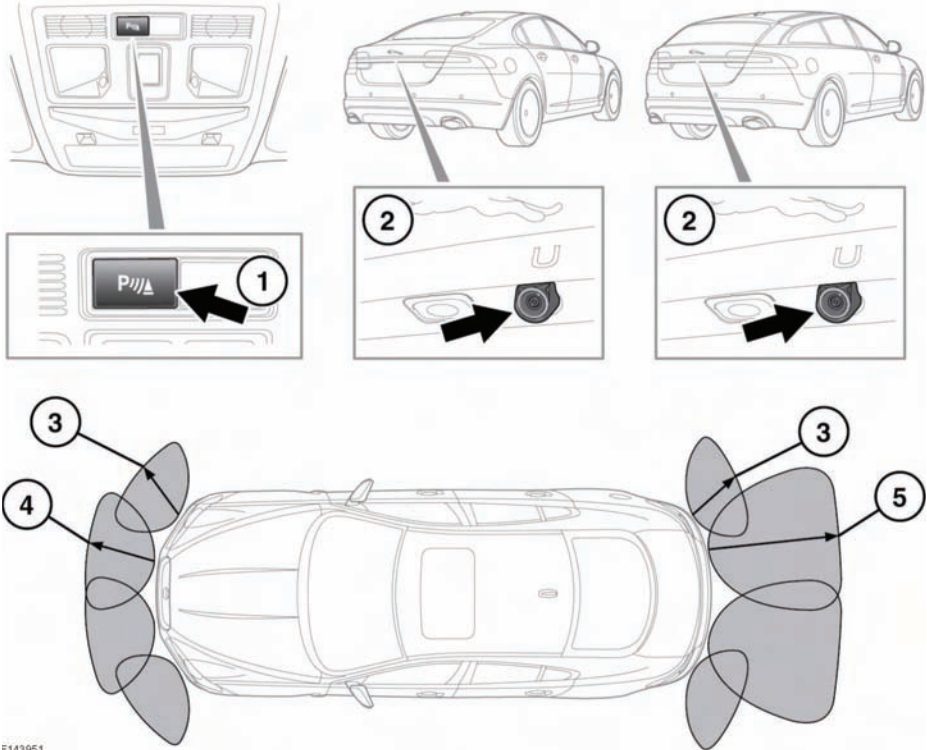


Parking aids

USING THE PARKING AID



E143951



Parking aids may not detect moving objects such as children and animals, until they are dangerously close. Always use extreme caution when manoeuvring.



Parking aid sensors may not detect some obstructions (e.g. narrow posts or small objects close to the ground).



If accessories are fitted to the rear of the vehicle, particular care must be taken when reversing. The rear sensors will only indicate the distance from the bumper to the obstacle.



It remains the driver's responsibility to detect obstacles and estimate the vehicle's distance from them. Some overhanging objects, barriers, chain link fences, small children, animals, thin obstructions or painted surfaces may not be detected by the system.

Note: The rear sensors are automatically disabled when a trailer is connected.

1. Parking aid switch. Press to turn on and off.
2. Rear camera. See **95, REAR CAMERA**.
3. Approximately 600 mm (24 in) detection range.