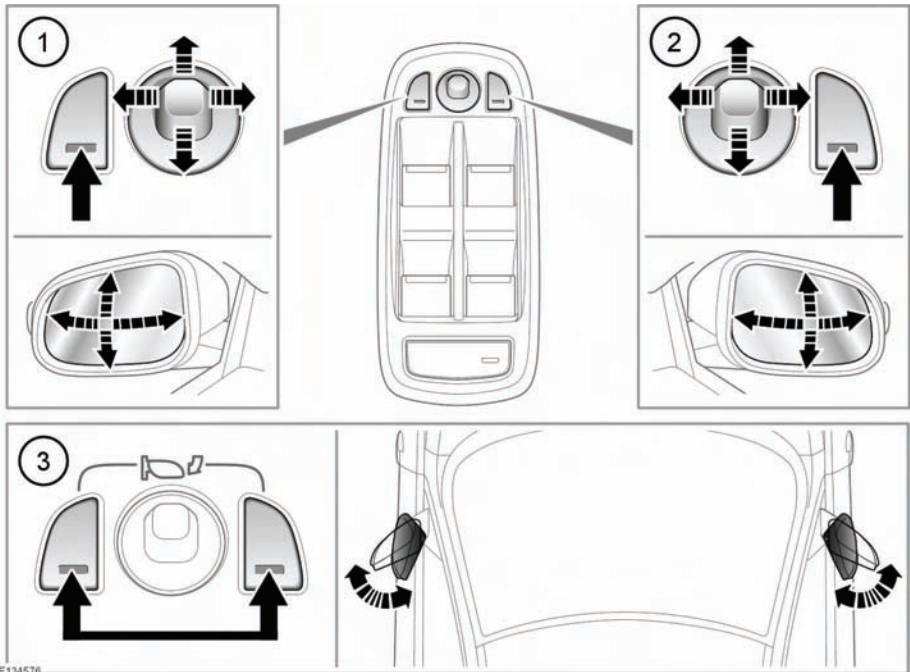


EXTERIOR MIRRORS



1. Left mirror adjustment.
2. Right mirror adjustment.
3. Powerfold/Unfold: Press both buttons simultaneously. This feature is inhibited at speeds over 110 km/h (70 mph).

The mirrors can be adjusted and folded when the ignition is on and for up to 5 minutes after the ignition is switched off, provided the driver's door is not opened.

Press the appropriate button to select the mirror to be adjusted (button indicator illuminates), then use the joystick control to adjust the mirror glass.

Note: Depending on the type of lens used, distances may be difficult to judge accurately when only using the mirrors.

The mirrors can be configured to automatically fold when the vehicle is locked and unfold when unlocked. This feature can be enabled or disabled via the Security/vehicle settings area of the touch screen. See **66, VEHICLE SETTINGS**.

If the mirrors are accidentally knocked out of position (i.e. so only 1 is folded), press both buttons simultaneously to re-synchronise.

Note: If the mirrors were folded using the switches, they will not unfold when the vehicle is unlocked.

Note: 2 different exterior mirror positions can be stored and recalled using the driving position memory feature. See **19, DRIVING POSITION MEMORY**.