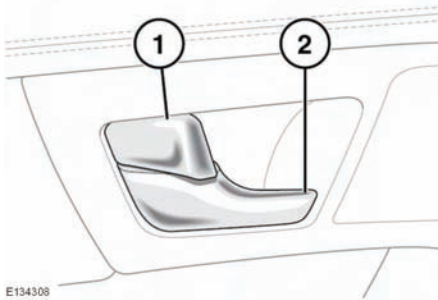


## DOOR LOCKS AND RELEASE LEVERS



1. Press the locking lever to lock the door. Pull the lever to unlock the door. Operating the locking lever on either front door will lock or unlock all closed doors.
2. Pull the release lever to open a door. If a rear door is locked, operating the lever will have no effect.

**Note:** If the car was locked using the Smart key, then operating the locking/release lever will only unlock/release that door and the alarm will sound.

**Note:** If the vehicle has been double locked, then the interior door lock and release levers will not operate. The vehicle must be unlocked using the Smart key.

## SINGLE LOCKING

Press the lock button briefly. Single locking secures the vehicle and prevents the doors and the luggage compartment being opened from outside of the vehicle. The doors can be unlocked and opened from inside the vehicle. The hazard warning lamps will flash once as confirmation.

## DOUBLE LOCKING



**Never double lock the vehicle with people, children or pets inside. In the event of an emergency they would be unable to escape and the emergency services would be unable to release them quickly.**

**When the vehicle is double locked the doors cannot be opened, either from inside or outside the vehicle.**

Press the lock button twice within 3 seconds. Double locking secures the vehicle and prevents the doors and the luggage compartment being unlocked or opened from inside or outside of the vehicle, except with the correct Smart key. The hazard warning lamps will flash twice (with a long second flash) and an audible warning will sound, as confirmation.



The audible warning can be enabled/disabled by a Dealer/Authorised Repairer.

## LOCK CONFIRMATION

If you are uncertain whether the vehicle is locked and armed (either by single or double locking), press the lock button again. The hazard warning lamps will flash to indicate and confirm the current armed/disarmed status.

**Note:** If the vehicle is **not** already locked and armed, pressing the lock button will single lock the vehicle. Press again to double lock.

## MISLOCK

If one of the doors, the bonnet, or the luggage compartment are not shut fully when the vehicle is locked using the Smart key or by Keyless locking, the vehicle will not lock and 2 warning tones will sound. Check that all the doors, the bonnet and the luggage compartment are closed properly and lock the vehicle again.