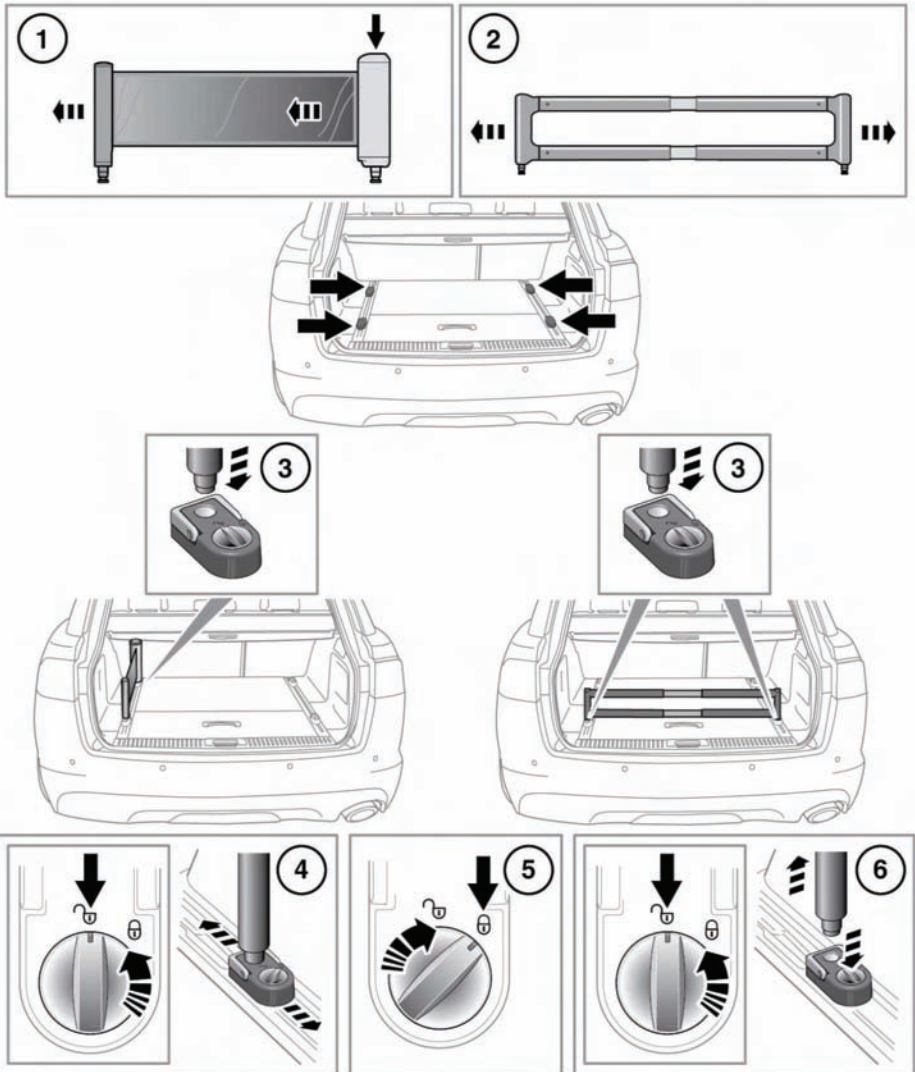


## LUGGAGE DIVIDER



E144568

For Sportbrake models, a luggage divider kit is provided to assist with safely securing items of

luggage to the loadspace floor.

# Luggage compartment

Floor mounted luggage rails provide a full width mounting channel that will accommodate a flexible retracting band and/or a solid telescopic divider to retain soft and hard luggage of all shapes and sizes.

1. Press and pull to adjust length required of retracting band.
2. Adjust divider to length required.
3. Unlock required lashing eye, attach the luggage band/divider to lashing eye.
4. With the lashing eye in the unlocked position, press the switch and slide to the required position in the luggage rail.
5. Lock lashing eye when in required position.
6. To remove luggage band/divider from lashing eye, unlock lashing eye and press the lock/unlock switch and release.