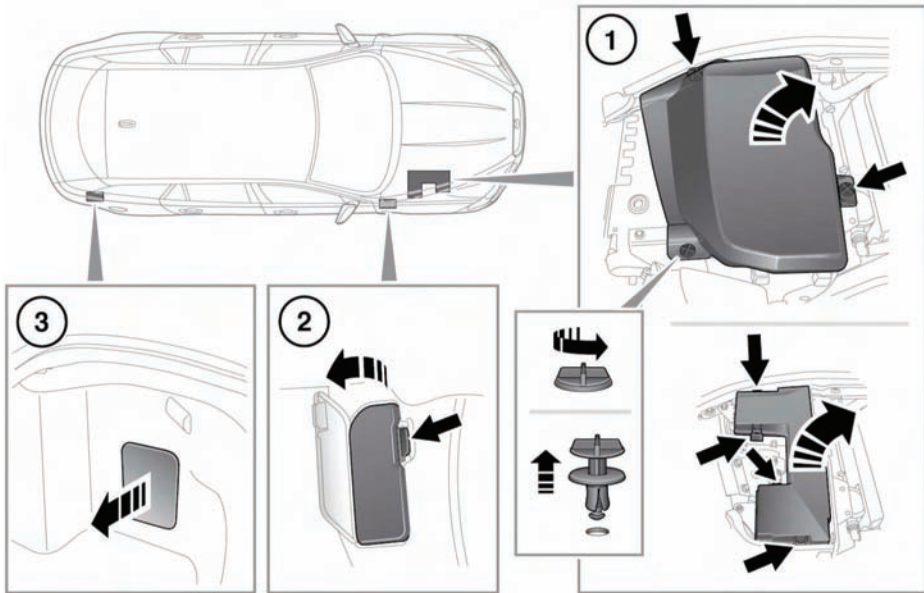


FUSE BOX LOCATIONS



E143962

! When a fuse box lid is removed, take care to protect the box from moisture and refit the lid at the earliest opportunity.

There are 3 separate fuse boxes fitted to the vehicle, each 1 containing fuses protecting a different group of circuits.

1. The engine compartment fuse box.
 - The engine cover must be removed first. Release the turnbuckles and remove the cover.
 - To remove the fuse box cover, press the release catches and lift up.
2. The passenger compartment fuse box.
3. The luggage compartment fuse box.

CHANGING A FUSE

- !** Always turn off the ignition system and the affected electrical circuit, before replacing a fuse.
- !** Fit Jaguar approved replacement fuses of the same rating and type, or fuses of matching specification.
- !** If the replacement fuse blows after installation, the system should be checked by your Dealer/Authorised Repairer.

Note: Jaguar recommend that owners do not remove or replace relays. It is recommended that you seek qualified assistance in the event of a relay failure.

Spare fuses and a fuse removal tool, are located in the engine compartment fuse box.