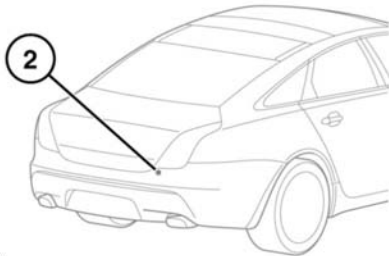


# Luggage compartment

## OPENING AND CLOSING THE LUGGAGE COMPARTMENT

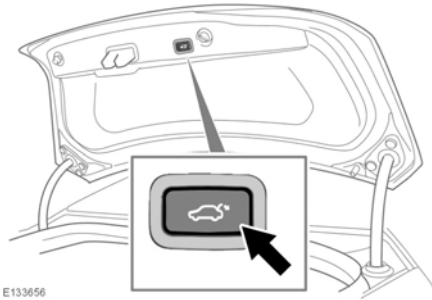
**!** If the Smart key is inadvertently left inside the luggage compartment and the vehicle is locked and the alarm set, an audible warning will sound and the luggage compartment will re-open after 3 seconds.

**Note:** If the Smart key is inside a metal box, it will not be detected by the vehicle security system.



E142723

The luggage compartment can be opened using the appropriate button on the Smart key (1), or via keyless entry. It can also be opened using the exterior release (2), provided the doors are unlocked and the gear selector is in Park (P). Provided the vehicle is not locked or alarmed, the luggage compartment can also be opened using the interior release button, see 238, DRIVER CONTROLS.



E133656

To close the luggage compartment, press the button on the closing edge of the luggage compartment lid.

**Note:** If any of the luggage compartment release/close buttons are pressed while the lid is closing, movement will stop. Check that there are no obstructions and press the close button again.

**Object detection:** If any object is detected that would interfere with the luggage compartment closing, lid movement will stop and reverse a short distance. Remove any obstructions and press the close button again.

## LUGGAGE COMPARTMENT OPENING HEIGHT

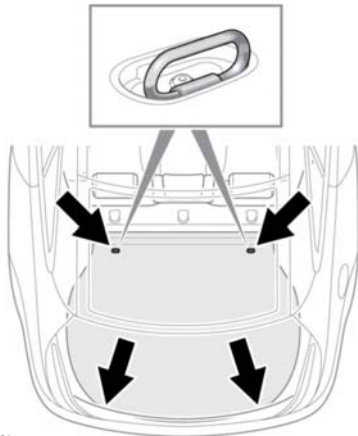
It is possible to set the maximum height to which the luggage compartment lid will open. This is useful in parking areas with very low roofs or just for ease of use.

- Open the luggage compartment lid to the position which you want to set as the maximum height.
- Press and hold (for 10 seconds) the luggage compartment close button.
- Close the luggage compartment, then open again to check that it opens to the programmed height.

The maximum opening height is now set.

To reset the maximum opening height to full, repeat the process, but fully open the luggage compartment lid before pressing and holding the button.

## LUGGAGE ANCHOR POINTS



E132491



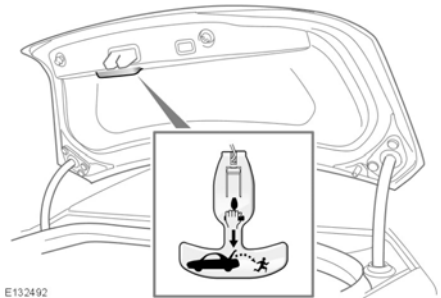
**All items carried in the vehicle should be properly secured.**

Four load securing points are provided in the rear luggage area to assist in safely securing items.

**Note:** A range of approved luggage retention accessories are available from your Dealer/ Authorised Repairer.

## LUGGAGE COMPARTMENT EMERGENCY RELEASE

The mechanical luggage compartment release provides a means of escape in the event of someone being locked in the luggage compartment. Adults are advised to familiarise themselves with the operation of the release handle.



E132492


The release handle glows in the dark and is located on the inside of the luggage compartment lid. To open the luggage compartment from the inside, pull the handle while pushing the luggage compartment lid upwards.

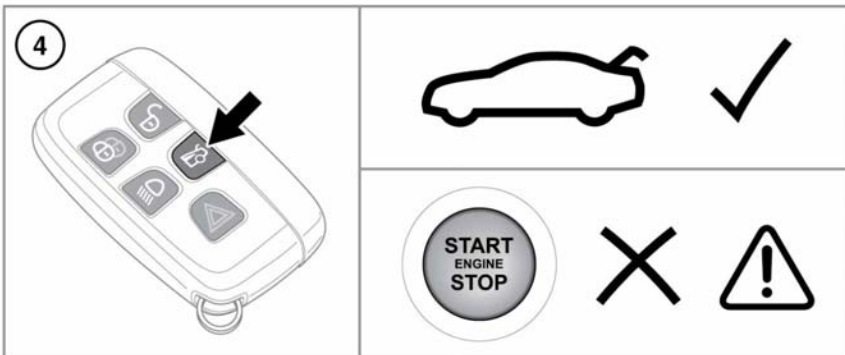
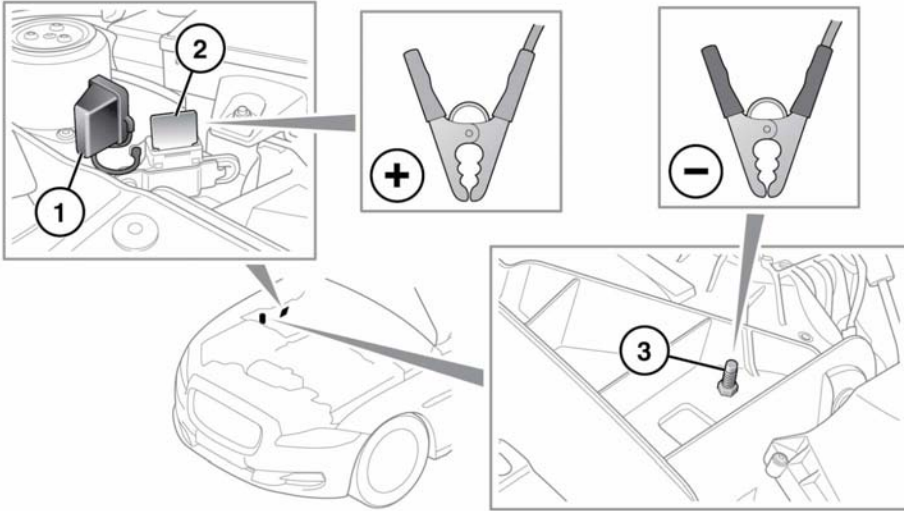
Return the handle to its stowage position after use.

# Luggage compartment

## LUGGAGE COMPARTMENT RELEASE WHEN BATTERY IS DISCHARGED

If the battery becomes discharged when the luggage compartment is shut, it will be necessary to supply power to the release circuit in order to open it.

 Supplying power to the release circuit in the following manner may cause a fuse to blow. For this reason it is recommended that the following procedure is only carried out by suitably qualified persons.



E142724

With the bonnet open and the engine cover removed (see **176, FUSE BOX LOCATIONS**), connect jump lead cables to a suitable 12v supply, then proceed as follows:

1. Remove the cover from the positive terminal.
2. Attach the positive jump lead clamp to the positive terminal.
3. Attach the negative jump lead clamp to the earthing post.
4. Press the luggage compartment release button on the remote control.



Do not attempt to start the vehicle with power supplied in this way.