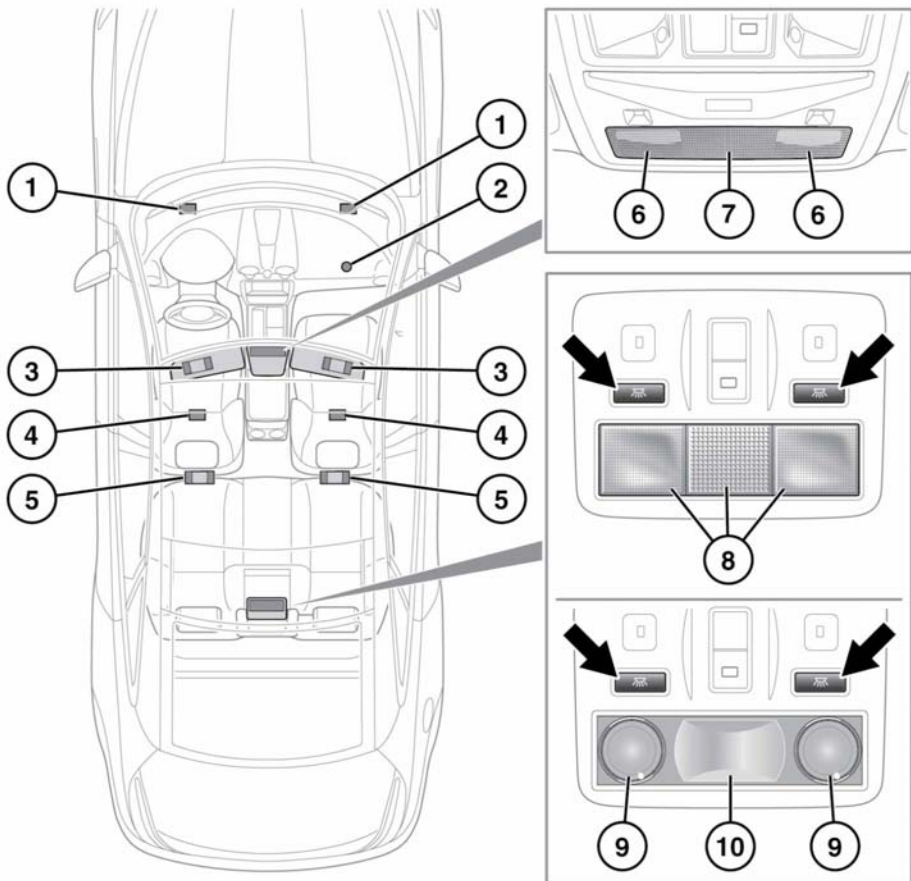


INTERIOR LIGHTS



E153230

1. Front seat foot-well illumination.
2. Glove box lamp.
3. Vanity mirror lamps.
4. Rear seat foot-well illumination.
5. Rear vanity mirror lamps (long wheelbase vehicles only).
6. Front reading lamps: Touch the lens briefly to switch on/off or for approximately 2 seconds to switch automatic illumination of the rear interior lamps on/off.
7. Front interior courtesy lamp: Illuminates when the doors are unlocked and extinguishes 20 seconds after all of the doors are closed or when the vehicle is locked.

Interior lights

The lamps are operated by proximity sensors. Move your finger close to (or touch) the appropriate lens to switch on/off. Touch the lens for 2 seconds to switch automatic illumination on/off (**INTERIOR LIGHTS OFF** or **INTERIOR LIGHTS AUTO** is displayed in the Message centre accordingly).

8. Rear interior and reading lamps: All 3 lamps switch on automatically when the rear doors are opened.
Press the appropriate switch to activate the outer reading lamps manually.
9. Rear reading lamps: Press the appropriate switch to activate a reading lamp manually.
10. Rear interior courtesy lamp: Switches on automatically when the rear doors are opened.