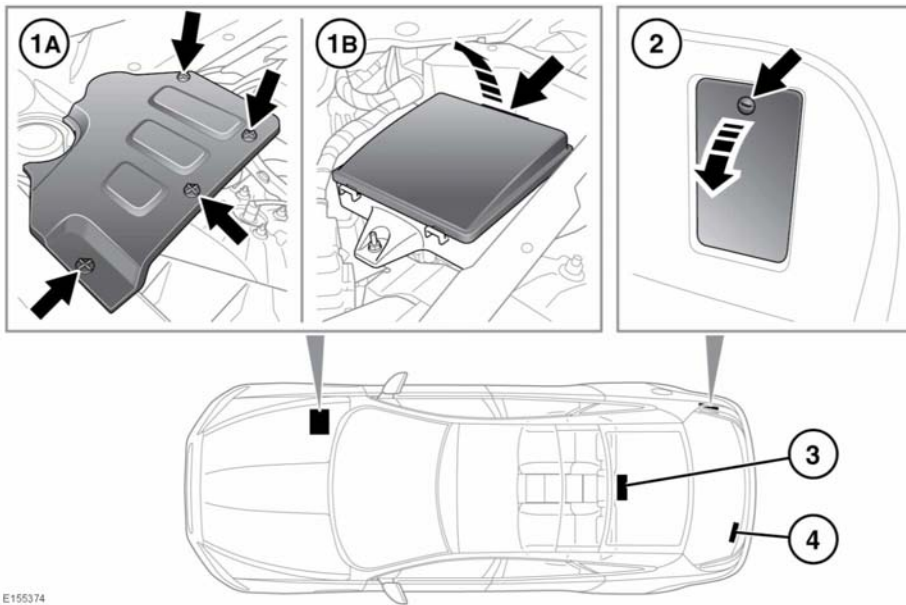


FUSE BOX LOCATIONS



E155374

- ⚠ When a fuse box lid is removed, take care to protect the box from moisture, and refit the lid at the earliest opportunity.

There are 4 separate fuse boxes fitted to the vehicle, each one containing fuses protecting a different group of circuits.

1. Engine compartment fuse box.
 - A. Undo the 4 turn-buckles and remove the engine cover to access the fuse box.
 - B. Remove the fuse box cover.
2. Luggage compartment fuse box.
3. Passenger compartment fuse box.
The fuse box is accessed through the flap behind the rear centre armrest.
4. Secondary luggage compartment fuse box.

CHANGING A FUSE

- ⚠ Always turn off the ignition system and the affected electrical circuit, before replacing a fuse.
- ⚠ Fit Jaguar approved replacement fuses of the same rating and type, or fuses of matching specification.
- ⚠ If the replacement fuse blows after installation, the system should be checked by your Dealer/Authorised Repairer.

Note: Jaguar recommend that owners do not remove or replace relays. It is recommended that you seek qualified assistance in the event of a relay failure.

Spare fuses are located in the tool tray situated under the floor in the luggage compartment.

ENGINE COMPARTMENT FUSE BOX

Fuse No	Rating (amps)	Fuse Colour	Circuit
F1	-	-	-
F2	10A	Red	Engine management sensors (petrol & GTDI)
	5A	Tan	Engine and E-box cooling fans, Engine oil temperature sensor (diesel)
F3	25A	Clear	Ignition coils (petrol & GTDI)
	5A	Tan	Diesel fuel control
F4	30A	Green	Power wash pump
F5	40A	Orange	Main electrical power to module (petrol & GTDI)
	-	-	Spare (diesel)
F6	40A	Orange	Right side front screen heater and heated wiper
F7	30A	Green	Traction control module (AWD)
F8	10A	Red	Glow plug controller Bank B, Oxygen sensor
	5A	Tan	MAF sensor (Diesel)
F9	10A	Red	Engine cooling fan, Engine management (petrol & GTDI)
	5A	Tan	Active engine mount, water in fuel sensor (diesel)
F10	5A	Tan	Air conditioning
F11	-	-	-
F12	20A	Yellow	Oxygen sensors Bank A (petrol & GTDI)
	10A	Red	Engine management sensors, Glow plug controller Bank A
F13	20A	Yellow	Oxygen sensors Bank B (petrol) Spare (GTDI)
	25A	Clear	Engine control module (diesel)
F14	5A	Tan	Adaptive cruise control
F15	20A	Yellow	Oxygen sensors (petrol)
	-	-	Spare (diesel & GTDI)
F16	5A	Tan	S/C Intercooler water pump coil feed (petrol)
	-	-	Spare (diesel & GTDI)
F17	5A	Tan	Pinion motor monitor
F18	15A	Blue	Horn

Fuses

Fuse No	Rating (amps)	Fuse Colour	Circuit
F19	30A	Green	Starter
F20	40A	Orange	Anti-lock brake system pumps
F21	25A	Clear	Anti-lock brake system valve
F22	-	-	-
F23	-	-	-
F24	15A	Blue	S/C Intercooler water pump (petrol)
	-	-	Spare (diesel & GTDI)
F25	-	-	-
F26	40A	Orange	Wiper motor
F27	5A	Tan	Monitor
F28	15A	Blue	Transmission control module
F29	5A	Tan	Dynamic stability control
F30	-	-	-
F31	-	-	-
F32	40A	Orange	Left side heated screen
F33	-	-	-
F34	-	-	-
F35	100A	Black	TORN2/TORN-M6

PASSENGER COMPARTMENT FUSE BOX

Fuse No	Rating (amps)	Fuse Colour	Circuit
F1	5A	Tan	RF-RX, IMS, Type pressure monitor system
F2	-	-	-
F3	-	-	-
F4	5A	Tan	CAN Gateway module
F5	5A	Tan	Dynamic stability control module, Yaw rate, Steering angle sensor
F6	5A	Tan	Fuse box engine compartment
F7	20A	Yellow	Rear climate control
F8	30A	Green	Front passenger's seat adjustment
F9	5A	Tan	Electronic park brake
F10	5A	Tan	Air suspension control module
F11	-	-	-
F12	-	-	-
F13	-	-	-
F14	5A	Tan	Brake pedal switch
F15	30A	Green	Heated rear screen
F16	-	-	-
F17	5A	Tan	Keyless vehicle module supply
F18	-	-	-
F19	5A	Tan	Engine control module
F20	10A	Red	Heated steering wheel
F21	5A	Tan	Air conditioning sensor, Front overhead console, Front dual climate control module and smog sensor.
F22	5A	Tan	Transmission control module, E-Diff, Jaguar Drive selector
F23	5A	Tan	Headlamp levelling
F24	5A	Tan	Right side front and rear lamp clusters
F25	10A	Red	Left side front and rear lamp clusters
F26	-	-	-
F27	-	-	-

Fuses

Fuse No	Rating (amps)	Fuse Colour	Circuit
F28	20A	Yellow	Rear seat dual climate control module
F29	20A	Yellow	Front seat dual climate control module
F30	25A	Clear	Passenger door module
F31	5A	Tan	Rain/light sensor
F32	25A	Clear	Driver's door module
F33	20A	Yellow	Front dual climate control module
F34	10A	Red	Fuel filler flap lock
F35	-	-	-
F36	5A	Tan	Battery back up sounder/tilt sensor
F37	20A	Yellow	Keyless vehicle module
F38	15A	Blue	Front screen wash pump relay
F39	25A	Clear	Left side rear door module
F40	5A	Tan	Driver's window, Clock, Switches around the touch screen, Rear climate panel, Passenger door memory
F41	-	-	-
F42	30A	Green	Driver's seat module
F43	-	-	-
F44	25A	Clear	Right side rear door module
F45	30A	Green	Passenger front seat switch pack
F46	30A	Green	Driver's seat module
F47	-	-	-
F48	30A	Green	Left side rear seat module
F49	5A	Tan	Right side headlamp motor
F50	5A	Tan	Left side headlamp motor
F51	5A	Tan	Steering wheel switches
F52	20A	Yellow	Front cigar lighter
F53	20A	Yellow	Rear cigar lighter
F54	-	-	-
F55	20A	Yellow	Rear accessory socket

Fuse No	Rating (amps)	Fuse Colour	Circuit
F56	10A	Red	Restraint control module, Occupancy sensor
F57	10A	Red	Glove box, glove box lamp, front and rear overhead consoles, sun visor lamps, vanity lamps
F58	30A	Green	Right side rear seat module
F59	-	-	-
F60	-	-	-
F61	10A	Red	Integrated antenna unit, cluster, cluster fan
F62	10A	Red	Climate control module
F63	20A	Yellow	Front accessory socket
F64	15A	Blue	Left side rear sun blind
F65	-	-	-
F66	5A	Tan	On board diagnostic
F67	-	-	-
F68	-	-	-
F69	15A	Blue	Right side rear sun blind

LUGGAGE COMPARTMENT FUSE BOX

Fuse No	Rating (amps)	Fuse Colour	Circuit
F1	30A	Green	Electronic parking brake
F2	5A	Tan	Telematics, Singapore road pricing
F3	-	-	-
F4	-	-	-
F5	-	-	-
F6	30A	Green	Power boot lid
F7	-	-	-
F8	20A	Yellow	Dual battery module
F9	-	-	-
F10	-	-	-
F11	25A	Clear	Front heated seat
F12	10A	Red	Seat movement logic and switch power
F13	10A	Red	Rear seat logic
F14	25A	Clear	Rear heated seat
F15	-	-	-
F16	10A	Red	Chassis control module
F17	10A	Red	Chassis control module (air suspension)
F18	-	-	-
F19	30A	Green	Fuel pump, Body control module, LSD
F20	-	-	-
F21	10A	Red	Headlamp control module, Camera, Auto high beam disable, Lane change merge assist, Park aid module, Interior mirror
F22	10A	Red	Adaptive cruise control, Continuously variable dampers
F23	10A	Red	All wheel drive, Traction control module
F24	-	-	-
F25	5A	Tan	Air suspension module
F26	-	-	-
F27	-	-	-

Fuse No	Rating (amps)	Fuse Colour	Circuit
F28	-	-	-
F29	-	-	-
F30	-	-	-
F31	-	-	-
F32	-	-	-
F33*	40A	Green	E-diff module
F34*	40A	Green	Front blower motor
F35*	60A	Yellow	Quiescent relay box
F36*	30A	Pink	Sunroof module
F37*	40A	Green	Air suspension
F38*	60A	Yellow	Air suspension control relay
F39	-	-	-

*Jaguar recommends that these fuses should only be serviced by a Dealer/Authorised Repairer.

Secondary luggage compartment fuse box

Fuse No	Rating (amps)	Fuse Colour	Circuit
FA1	15A	Blue	Touch screen display
FA2	10A	Red	Amplifier, Clock
FA3	-	-	-
FA4	10A	Red	Phone connect view, DAB radio, Navigation, TV
FA5	15A	Blue	Integrated audio module
FA6	15A	Blue	Rear seat entertainment
FA7	-	-	-
FA8	-	-	-
FA9	-	-	-
FA10	-	-	-
FA11	-	-	-

Fuses

Fuse No	Rating (amps)	Fuse Colour	Circuit
FA12	-	-	-
FA13	-	-	-
FA14	-	-	-
FA15	15A	Blue	Heating and ventilation module
FA16	-	-	-