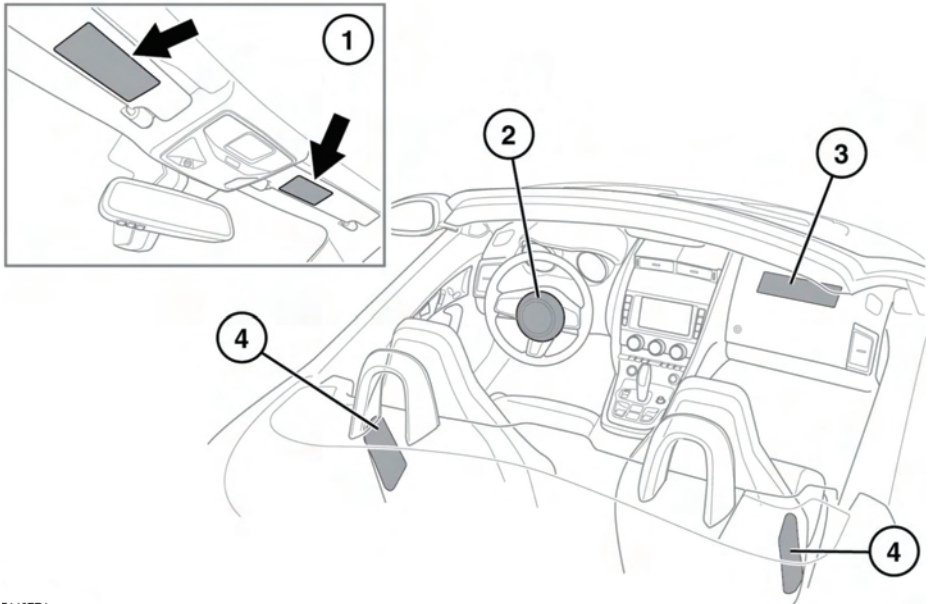


AIRBAGS



E149774

1. Airbag warning information is printed on the driver and passenger sun visors.
2. Driver's airbag.
3. Front passenger airbag.
4. Seat mounted side head/thorax airbags.

Note: The general location of airbags fitted to the vehicle are marked by the word AIRBAG.

Always contact your Dealer/Authorised Repairer if:

- An airbag inflates.
- The front or sides of the vehicle are damaged.
- Any part of the Airbag Supplementary Restraint System (SRS) shows signs of cracking or damage, including trim covering the airbags.
- The amber airbag warning lamp illuminates.

AIRBAG OPERATION



Do not allow passengers to obstruct the operation of the airbags by placing any part of their person or any objects in contact with, or close to, an airbag module. Only use approved accessories (e.g. seat covers).



Ensure that a gap is maintained between the side of the vehicle, and the head and torso. This will enable unobstructed inflation of the seat mounted side airbags.



Airbags inflate at high speeds. To minimise the risk of injury, ensure that all vehicle occupants wear correctly positioned seat belts, sit correctly in the seats, and position the seats as far back as practical.