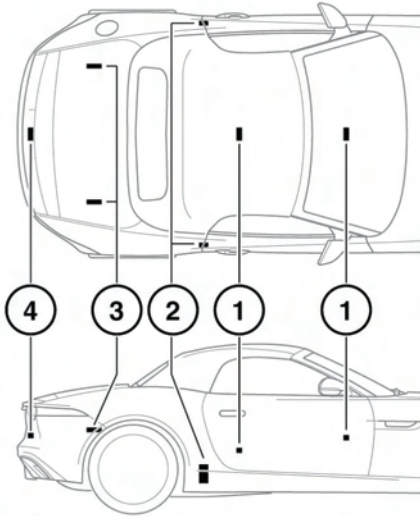


REMOTE KEY FOB TRANSMITTER LOCATIONS



E149270

1. Cabin transmitters.
2. Door handle transmitters.
3. Luggage compartment interior transmitters.
4. Luggage compartment exterior transmitter.



Any person fitted with an implanted medical device should ensure that the device is kept at a distance of at least 22 cm (8.7 inches) away from any transmitter mounted in the vehicle. This is to avoid any possibility of interference between the system and device.

