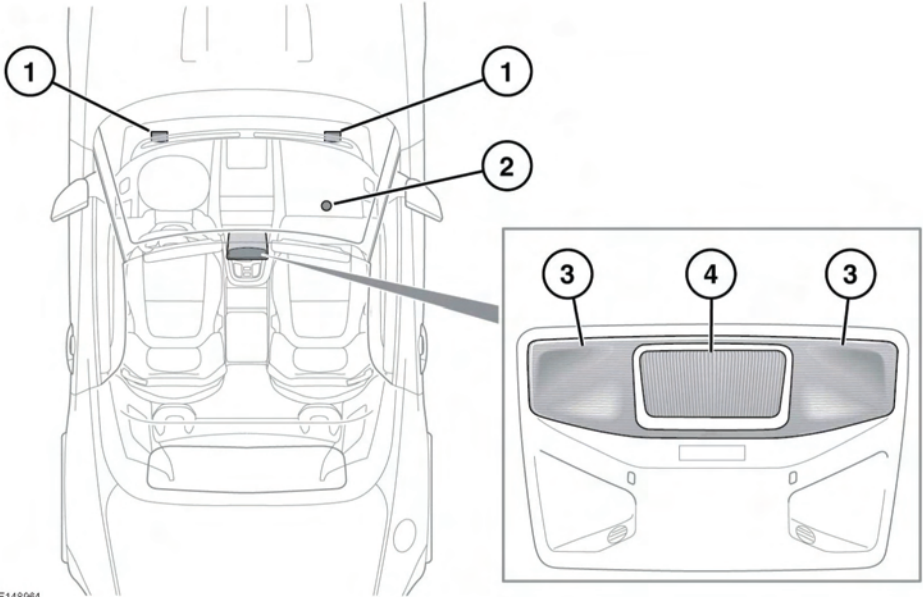


## INTERIOR LIGHTS



E148964

1. Foot-well illumination.
2. Glove box lamp.
3. Reading lamps: Touch the lens briefly to switch on/off.
4. Interior courtesy lamp: Illuminates when the doors are unlocked and extinguishes 60 seconds after both the doors are closed or when the vehicle is locked.

Touch the lens briefly to switch on/ off. To switch automatic illumination on/off, continue to touch the lens until the lamp flashes. **INTERIOR LIGHTS OFF** or **INTERIOR LIGHTS AUTO** will be displayed in the Message centre accordingly.

### INTERIOR LIGHTS INTENSITY

Instrument illumination intensity can be adjusted, while the exterior lamps are turned on. See **206, DRIVER CONTROLS**, Instrument illumination control.

### AMBIENT LIGHTING

For vehicles with configurable LED ambient lighting, adjustment for colour and intensity can be made via the touch screen. The exterior lamps must be turned on while changes are being made via the touch screen. See **55, EXTRA FEATURES**.

**Note:** Activating Dynamic mode automatically switches the LED ambient lighting to red.