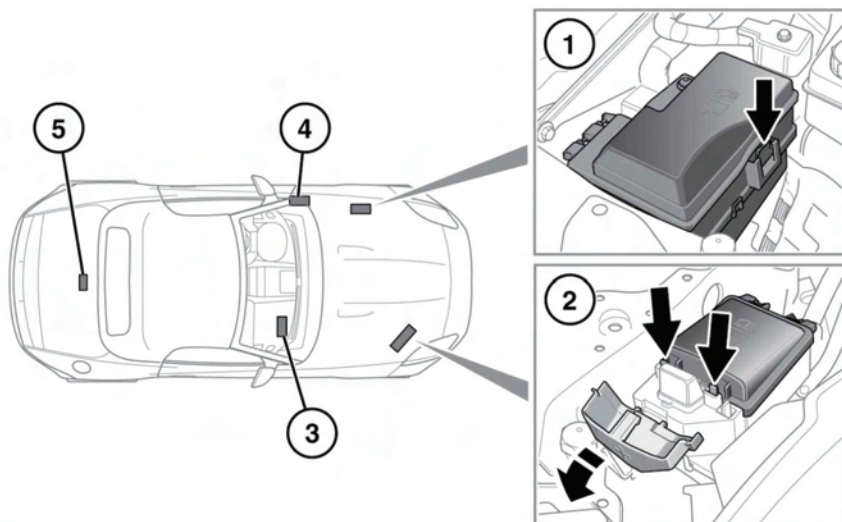


## FUSE BOX LOCATIONS



149218

**!** When a fuse box lid is removed, take care to protect the box from moisture, and refit the lid at the earliest opportunity.

There are 5 separate fuse boxes fitted to the vehicle, each one containing fuses protecting a different group of circuits.

1. Left side rear engine compartment fuse box.
  - Press the clip to release the fuse box cover.
2. Right side front engine compartment fuse box.
  - Open the side cover and press the 2 clips to release the fuse box cover.
3. Passenger compartment fuse box, located in the passenger side foot-well.
  - Remove the cover to access the fuse box.

4. Passenger compartment fuse box, located on the left side 'A' post below the fascia.
  - Unclip the access panel to view the fuse box.
5. Luggage compartment fuse box.
  - The fuse box is accessed by removing the vehicle battery cover and luggage compartment floor panel.

## CHANGING A FUSE

- !** Always turn off the ignition system and the affected electrical circuit, before replacing a fuse.
- !** Fit Jaguar approved replacement fuses of the same rating and type, or fuses of matching specification.
- !** If the replacement fuse blows after installation, the system should be checked by your Dealer/Authorised Repairer.